

## Features

- Full Power at Wide Output Current Range (Constant Power)
- Adjustable Output Current (AOC) with Programmability
- Isolated 1-10V/10V PWM/3-Timer-Modes Dimmable
- Output Lumen Compensation
- End-of-Life Indicator
- Input Surge Protection: DM 6kV, CM 10kV
- All-Around Protection: OVP, SCP, OTP
- IP66 / IP67 and UL Dry / Damp / Wet Location
- TYPE HL, for use in a Class I, Division 2 hazardous (Classified) location
- 5 Years Warranty



## Description

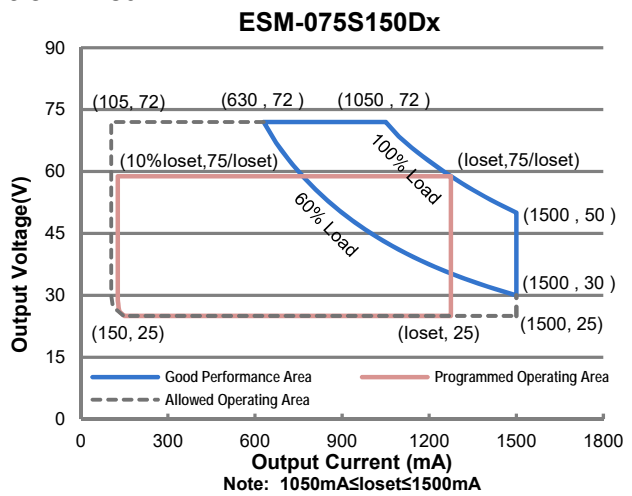
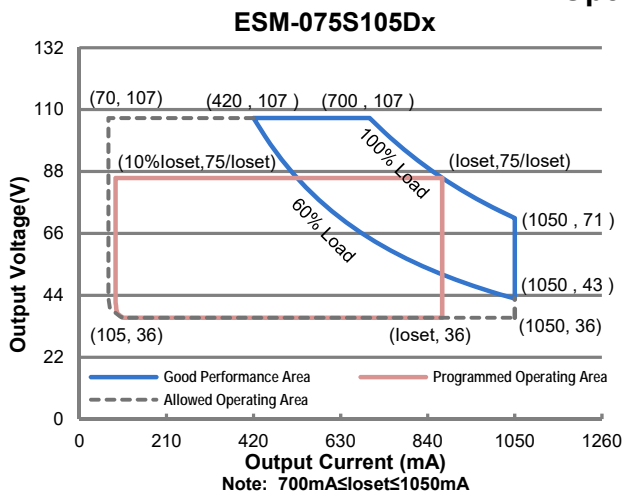
The ESM-075SxxxDx series is a 75W, constant-current, programmable and IP66/IP67 rated LED driver that operates from 249-528Vac input with excellent power factor. It is created for many lighting applications including high bay, tunnel and roadway, etc. The high efficiency of these drivers and compact metal case enables them to run cooler, significantly improving reliability and extending product life. To ensure trouble-free operation, protection is provided against input surge, output over voltage, short circuit, and over temperature.

## Models

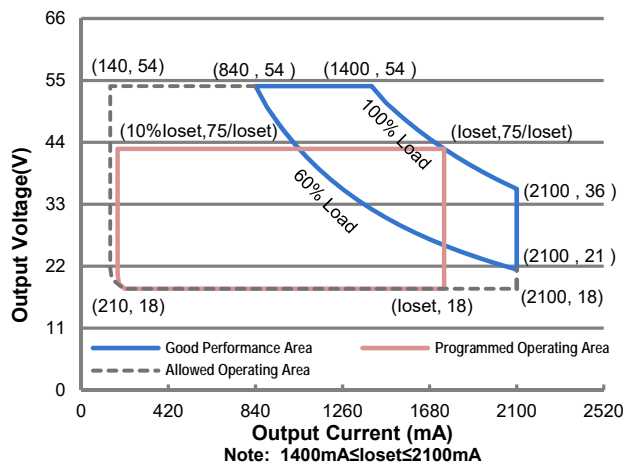
Adjustable Output Current Range	Full-Power Current Range (1)	Default Output Current	Input Voltage Range(2)	Output Voltage Range	Max. Output Power	Typical Efficiency (3)	Typical Power Factor		Model Number (6)
							277Vac	480Vac	
70-1050mA	700-1050mA	700 mA	249~528 Vac/ 352~500 Vdc	36~107 Vdc	75W	91.0%	0.99	0.95	ESM-075S105Dx <sup>(4)</sup>
105-1500mA	1050-1500mA	1050 mA	249~528 Vac/ 352~500 Vdc	25~72 Vdc	75W	89.5%	0.99	0.95	ESM-075S150Dx <sup>(4)</sup>
140-2100mA	1400-2100mA	2100 mA	249~528 Vac/ 352~500 Vdc	18~54 Vdc	75W	89.0%	0.99	0.95	ESM-075S210Dx <sup>(5)</sup>

- Notes:** (1) Output current range with constant power at 75W.  
 (2) Certified input voltage range: 277-480Vac.  
 (3) Measured at 100% load and 480Vac input (see below "General Specifications" for details).  
 (4) SELV Output.  
 (5) Class 2 & SELV output.  
 (6) x = G are UL Recognized and ENEC, etc. models; x = T are UL Class P models.

## I-V Operation Area



## ESM-075S210Dx



## Input Specifications

Parameter	Min.	Typ.	Max.	Notes
Input AC Voltage	249 Vac	-	528 Vac	
Input DC Voltage	352 Vdc	-	500 Vdc	
Input Frequency	47 Hz	-	63 Hz	
Leakage Current	-	-	0.75 MIU	UL8750; 480Vac/ 60Hz
	-	-	0.70 mA	IEC60598-1; 480Vac/ 60Hz
Input AC Current	-	-	0.34 A	Measured at 100% load and 277 Vac input.
	-	-	0.20 A	Measured at 100% load and 480 Vac input.
Inrush Current(I <sup>2</sup> t)	-	-	0.89 A <sup>2</sup> s	At 480Vac input, 25°C cold start, duration=252 μs, 10%Ipk-10%Ipk. See Inrush Current Waveform for the details.

## Input Specifications (Continued)

Parameter	Min.	Typ.	Max.	Notes
PF	0.9	-	-	At 277-480Vac, 50-60Hz, 60%-100% Load (45-75W)
THD	-	-	20%	

## Output Specifications

Parameter	Min.	Typ.	Max.	Notes
Output Current Tolerance	-5%loset	-	5%loset	At 100% load condition
Output Current Setting(loset) Range				
ESM-075S105Dx	70 mA	-	1050 mA	
ESM-075S150Dx	105 mA	-	1500 mA	
ESM-075S210Dx	140 mA	-	2100 mA	
Output Current Setting Range with Constant Power				
ESM-075S105Dx	700 mA	-	1050 mA	
ESM-075S150Dx	1050 mA	-	1500 mA	
ESM-075S210Dx	1400 mA	-	2100 mA	
Total Output Current Ripple (pk-pk)	-	5%lomax	10%lomax	At 100% load condition. 20 MHz BW
Output Current Ripple at < 200 Hz (pk-pk)	-	2%lomax	-	At 100% load condition. Only this component of ripple is associated with visible flicker.
Startup Overshoot Current	-	-	10%lomax	At 100% load condition
No Load Output Voltage				
ESM-075S105Dx	-	-	120 V	
ESM-075S150Dx	-	-	90 V	
ESM-075S210Dx	-	-	60 V	
Line Regulation	-	-	±1%	Measured at 100% load
Load Regulation	-	-	±5%	
Turn-on Delay Time	-	-	0.5 s	Measured at 277-480Vac input, 60%-100% Load
Temperature Coefficient of loset	-	0.06%/°C	-	Case temperature = 0°C ~Tc max

## General Specifications

Parameter	Min.	Typ.	Max.	Notes
Efficiency at 277 Vac input:				
ESM-075S105Dx				Measured at 100% load and steady-state temperature in 25°C ambient; (Efficiency will be about 2.0% lower if measured immediately after startup.)
lo= 700 mA	88.0%	90.0%	-	
lo=1050 mA	88.5%	90.5%	-	
ESM-075S150Dx				
lo=1050 mA	87.0%	89.0%	-	
lo=1500 mA	87.0%	89.0%	-	
ESM-075S210Dx				
lo=1400 mA	86.5%	88.5%	-	
lo=2100 mA	86.5%	88.5%	-	

## General Specifications (Continued)

Parameter	Min.	Typ.	Max.	Notes
Efficiency at 400 Vac input: ESM-075S105Dx I <sub>o</sub> = 700 mA I <sub>o</sub> =1050 mA ESM-075S150Dx I <sub>o</sub> =1050 mA I <sub>o</sub> =1500 mA ESM-075S210Dx I <sub>o</sub> =1400 mA I <sub>o</sub> =2100 mA	88.5% 89.0% 87.0% 87.5% 87.0% 87.0%	90.5% 91.0% 89.0% 89.5% 89.0% 89.0%	- - - - - -	Measured at 100% load and steady-state temperature in 25°C ambient; (Efficiency will be about 2.0% lower if measured immediately after startup.)
Efficiency at 480 Vac input: ESM-075S105Dx I <sub>o</sub> = 700 mA I <sub>o</sub> =1050 mA ESM-075S150Dx I <sub>o</sub> =1050 mA I <sub>o</sub> =1500 mA ESM-075S210Dx I <sub>o</sub> =1400 mA I <sub>o</sub> =2100 mA	88.5% 89.0% 87.0% 87.5% 87.0% 87.0%	90.5% 91.0% 89.0% 89.5% 88.5% 89.0%	- - - - - -	Measured at 100% load and steady-state temperature in 25°C ambient; (Efficiency will be about 2.0% lower if measured immediately after startup.)
MTBF	-	302,000 Hours	-	Measured at 480Vac input, 80%Load and 25°C ambient temperature (MIL-HDBK-217F)
Lifetime	-	102,000 Hours	-	Measured at 480Vac input, 80%Load and 70°C case temperature; See lifetime vs. Tc curve for the details
Operating Case Temperature for Safety T <sub>c_s</sub>	-40°C	-	+90°C	
Operating Case Temperature for Warranty T <sub>c_w</sub>	-40°C	-	+80°C	Case temperature for 5 years warranty Humidity: 10%RH to 95%RH
Storage Temperature	-40°C	-	+85°C	Humidity: 5%RH to 95%RH
Dimensions: Inches (L × W × H) Millimeters (L × W × H)	4.92 × 2.66 × 1.52 125 × 67.5 × 38.5			With mounting ear 5.59 × 2.66 × 1.52 142 × 67.5 × 38.5
Net Weight	-	710 g	-	

## Dimming Specifications

Parameter	Min.	Typ.	Max.	Notes	
Absolute Maximum Voltage on the V <sub>dim</sub> (+) Pin	-20 V	-	20 V		
Source Current on V <sub>dim</sub> (+)Pin	200 uA	300 uA	450 uA	V <sub>dim</sub> (+) = 0 V	
Dimming Output Range	ESM-075S105DG ESM-075S150DG ESM-075S210DG	10%loset	-	loset	700 mA ≤ I <sub>o</sub> set ≤ 1050 mA 1050 mA ≤ I <sub>o</sub> set ≤ 1500 mA 1400 mA ≤ I <sub>o</sub> set ≤ 2100 mA
	ESM-075S105DG ESM-075S150DG ESM-075S210DG	70 mA 105 mA 140 mA	-	loset	70 mA ≤ I <sub>o</sub> set < 700 mA 105 mA ≤ I <sub>o</sub> set < 1050 mA 140 mA ≤ I <sub>o</sub> set < 1400 mA
	Recommended Dimming Range for 1-10V	1 V	-	9 V	Default 1-10V dimming mode with positive logic.

## Dimming Specifications (Continued)

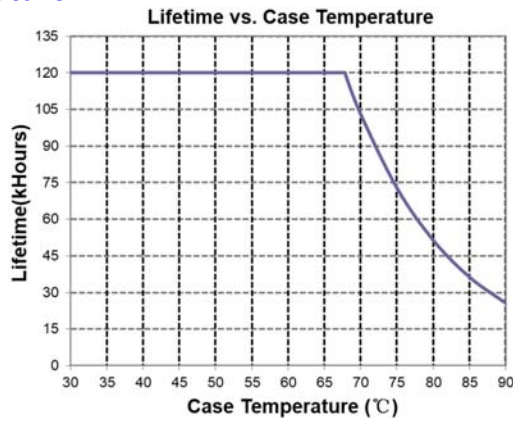
Parameter	Min.	Typ.	Max.	Notes
PWM_in High Level	-	10V	-	
PWM_in Low Level	-	0V	-	
PWM_in Frequency Range	200 Hz	-	2 KHz	
PWM_in Duty Cycle	0%	-	100%	

## Safety & EMC Compliance

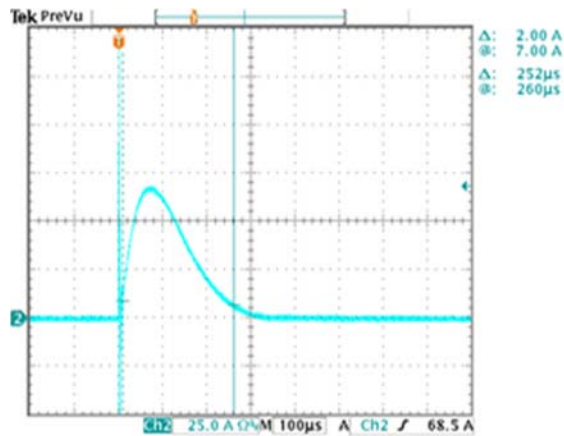
Safety Category	Standard
UL/CUL	UL8750,CAN/CSA-C22.2 No. 250.13
ENEC & CE	EN 61347-1, EN 61347-2-13
UKCA	BS EN 61347-1, BS EN 61347-2-13
CB	IEC 61347-1, IEC 61347-2-13
EMI Standards	Notes
BS EN/EN 55015 <sup>(1)</sup>	Conducted emission Test & Radiated emission Test
BS EN/EN 61000-3-2	Harmonic current emissions
BS EN/EN 61000-3-3	Voltage fluctuations & flicker
FCC Part 15 <sup>(1)</sup>	ANSI C63.4 Class B This device complies with Part 15 of the FCC Rules. Operation is subject to the following two conditions: [1] this device may not cause harmful interference, and [2] this device must accept any interference received, including interference that may cause undesired Operation.
EMS Standards	Notes
BS EN/EN 61000-4-2	Electrostatic Discharge (ESD): 8 kV air discharge, 4 kV contact discharge
BS EN/EN 61000-4-3	Radio-Frequency Electromagnetic Field Susceptibility Test-RS
BS EN/EN 61000-4-4	Electrical Fast Transient / Burst-EFT
BS EN/EN 61000-4-5	Surge Immunity Test: AC Power Line: Differential Mode 6 kV, Common Mode 10 kV
BS EN/EN 61000-4-6	Conducted Radio Frequency Disturbances Test-CS
BS EN/EN 61000-4-8	Power Frequency Magnetic Field Test
BS EN/EN 61000-4-11	Voltage Dips
BS EN/EN 61547	Electromagnetic Immunity Requirements Applies To Lighting Equipment

**Note:** (1) This LED driver meets the EMI specifications above, but EMI performance of a luminaire that contains it depends also on the other devices connected to the driver and on the fixture itself.

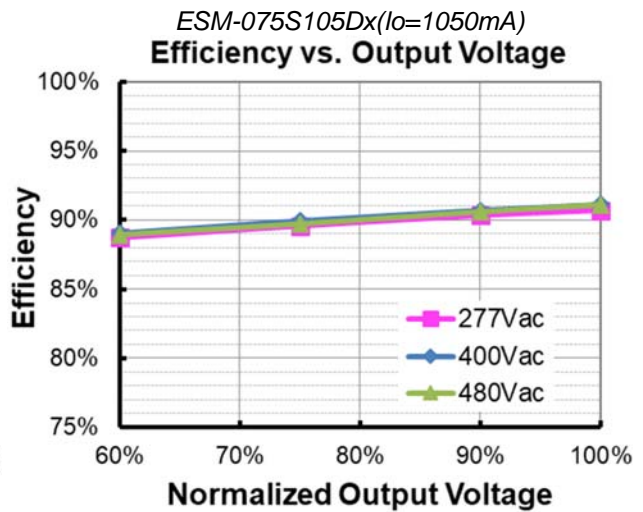
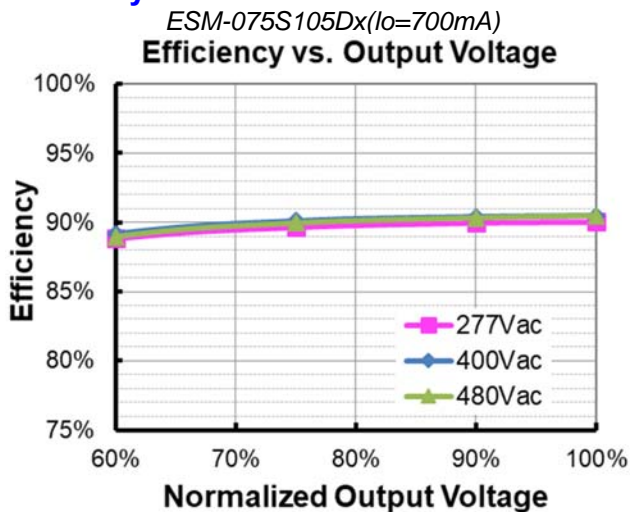
## Lifetime vs. Case Temperature



## Inrush Current Waveform



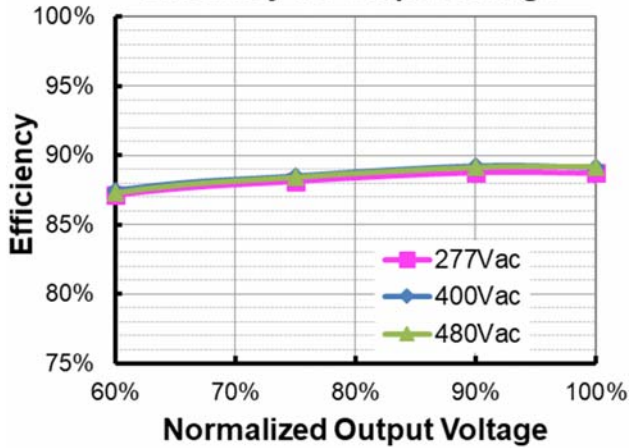
## Efficiency vs. Load





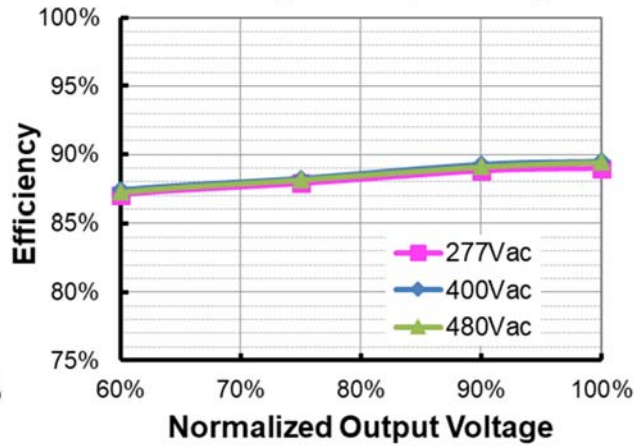
ESM-075S150Dx(Io=1050mA)

Efficiency vs. Output Voltage



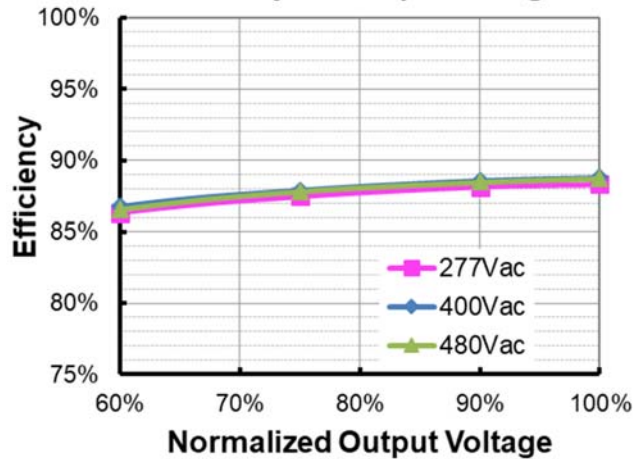
ESM-075S150Dx(Io=1500mA)

Efficiency vs. Output Voltage



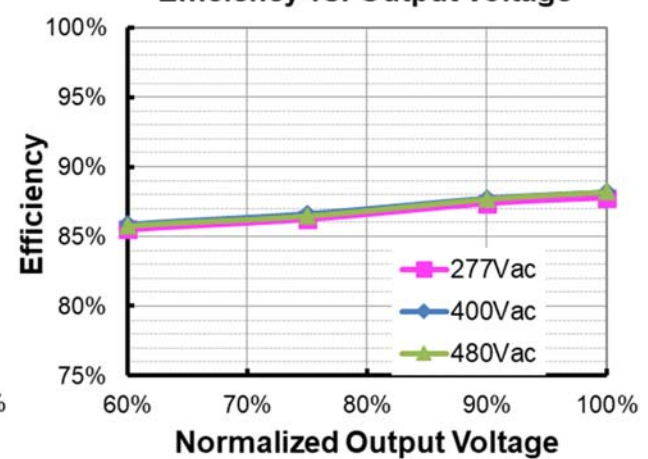
ESM-075S210Dx(Io=1400mA)

Efficiency vs. Output Voltage



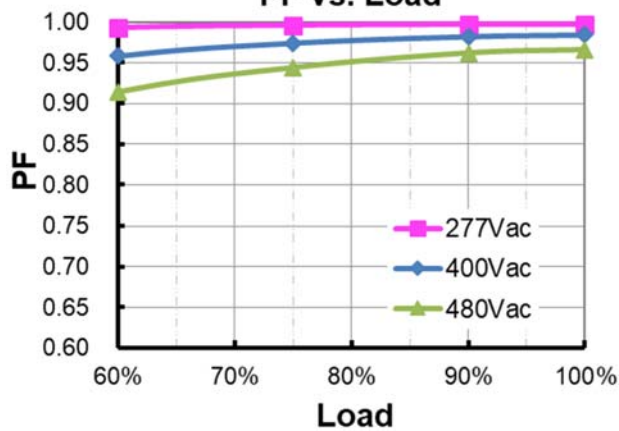
ESM-075S210Dx(Io=2100mA)

Efficiency vs. Output Voltage

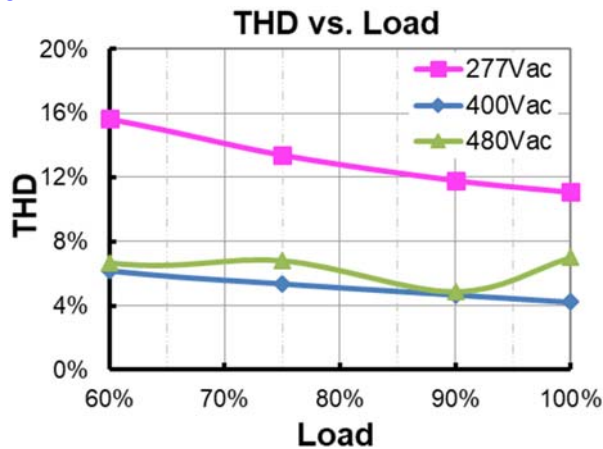


## Power Factor

PF vs. Load



## Total Harmonic Distortion



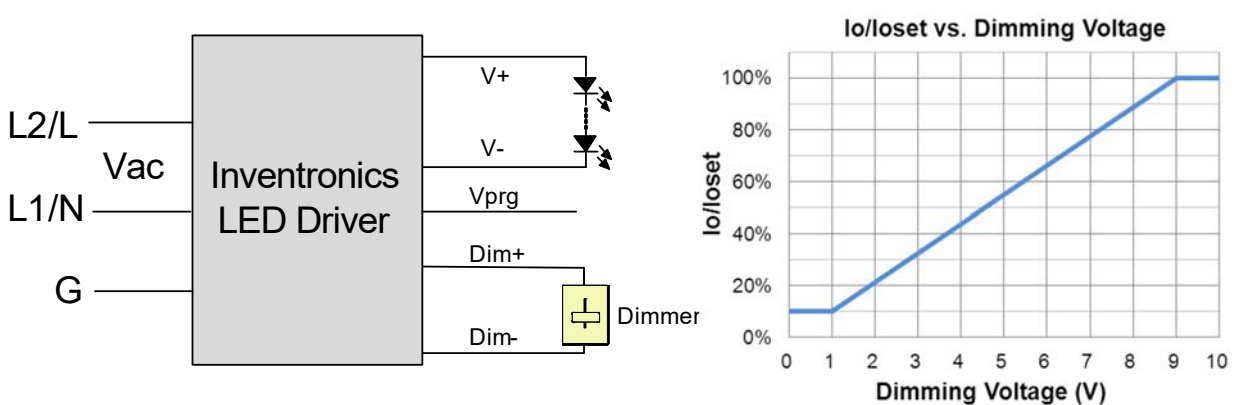
## Protection Functions

Parameter	Notes
Over Temperature Protection	Decreases output current, returning to normal after over temperature is removed.
Short Circuit Protection	Auto Recovery. No damage will occur when any output is short circuited. The output shall return to normal when the fault condition is removed.
Over Voltage Protection	Limits output voltage at no load and in case the normal voltage limit fails.

## Dimming

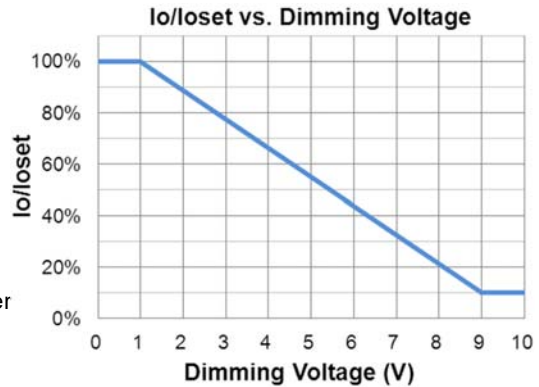
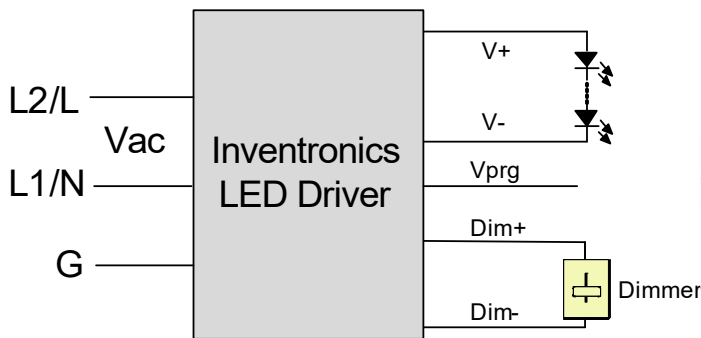
### ● 1-10V Dimming

The recommended implementation of the dimming control is provided below.



Implementation 1: Positive logic





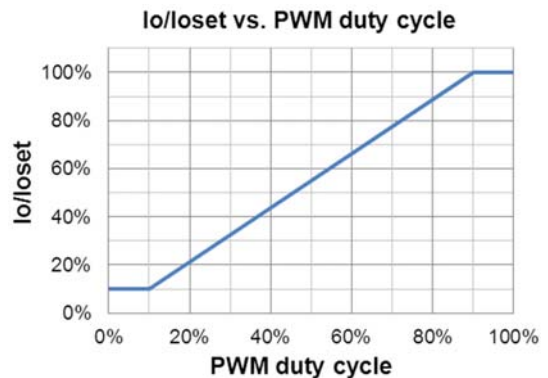
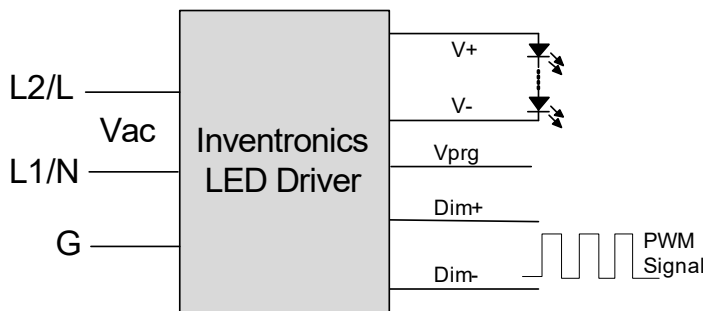
**Implementation 2: Negative logic**

**Notes:**

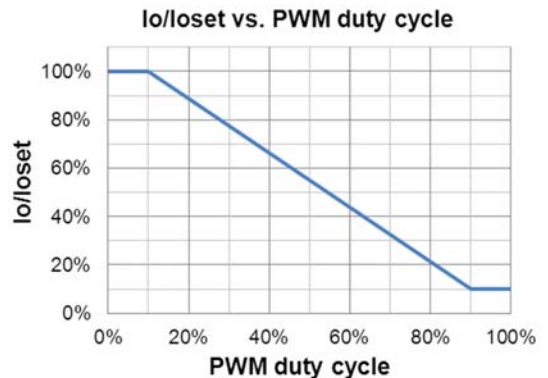
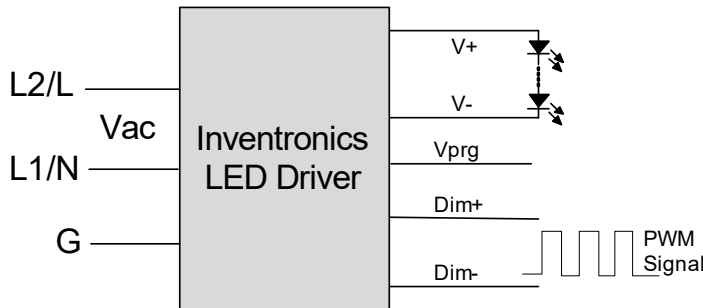
1. Do NOT connect Dim- to the output V- or V+, otherwise the driver will not work properly.
2. The dimmer can also be replaced by an active 1-10V voltage source signal or passive components like zener.
3. When 1-10V negative logic dimming mode and Dim+ is open, the driver will output minimum current.

● **10V PWM Dimming**

The recommended implementation of the dimming control is provided below.



**Implementation 3: Positive logic**



**Implementation 4: Negative logic**

**Notes:**

1. Do NOT connect Dim- to the output V- or V+, otherwise the driver will not work properly.
2. When 10V PWM negative logic dimming mode and Dim+ is open, the driver will output minimum current.

● **Time Dimming**

Time dimming control includes 3 kinds of modes, they are Self Adapting-Midnight, Self Adapting-Percentage and Traditional Timer.

- **Self Adapting-Midnight:** Automatically adjusts the dimming curve based on the on-time of past two days (if difference <15 minutes), assuming that the center point of the dimming curve is midnight local time.
- **Self Adapting-Percentage:** Automatically adjusts the on-time of each step by a constant percentage = (actual on-time for the past 2 days if difference <15 min) / (programmed on-time from the dimming curve).
- **Traditional Timer:** Follows the programmed timing curve after power on with no changes.

● **Output Lumen Compensation**

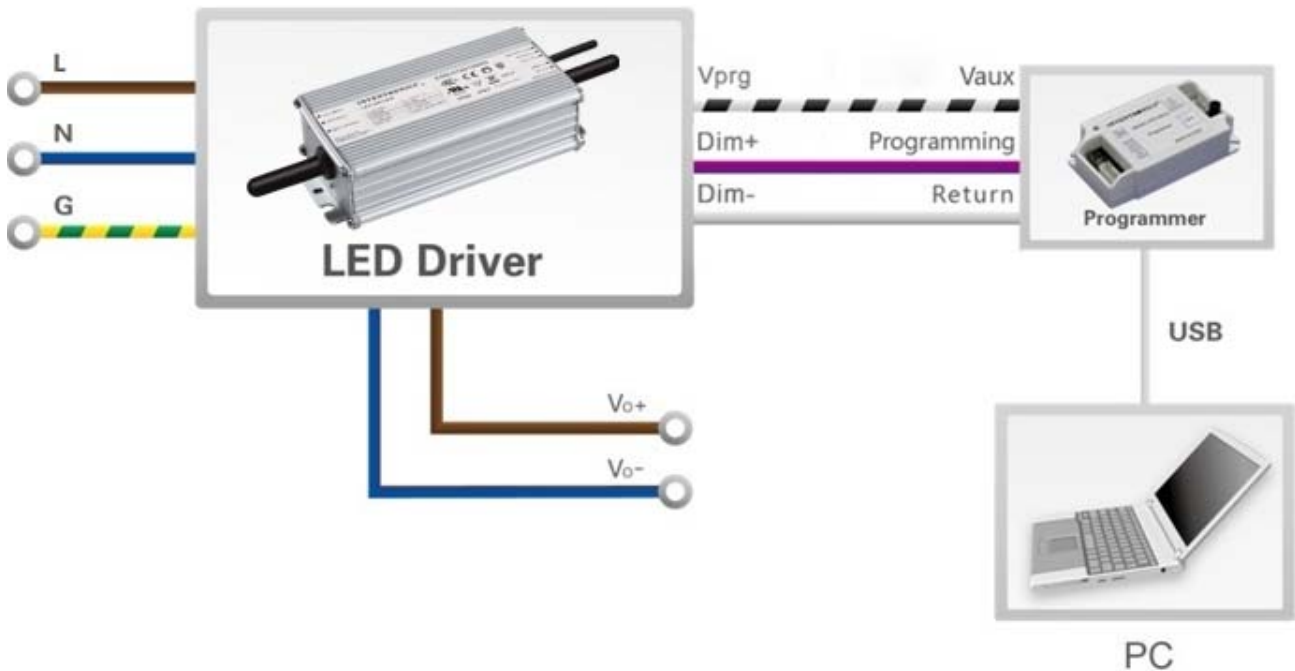
Output Lumen Compensation (OLC) may be used to maintain constant light output over the life of the LEDs by driving them at a reduced current when new, then gradually increasing the drive current over time to counteract LED lumen degradation.

● **End Of Life**

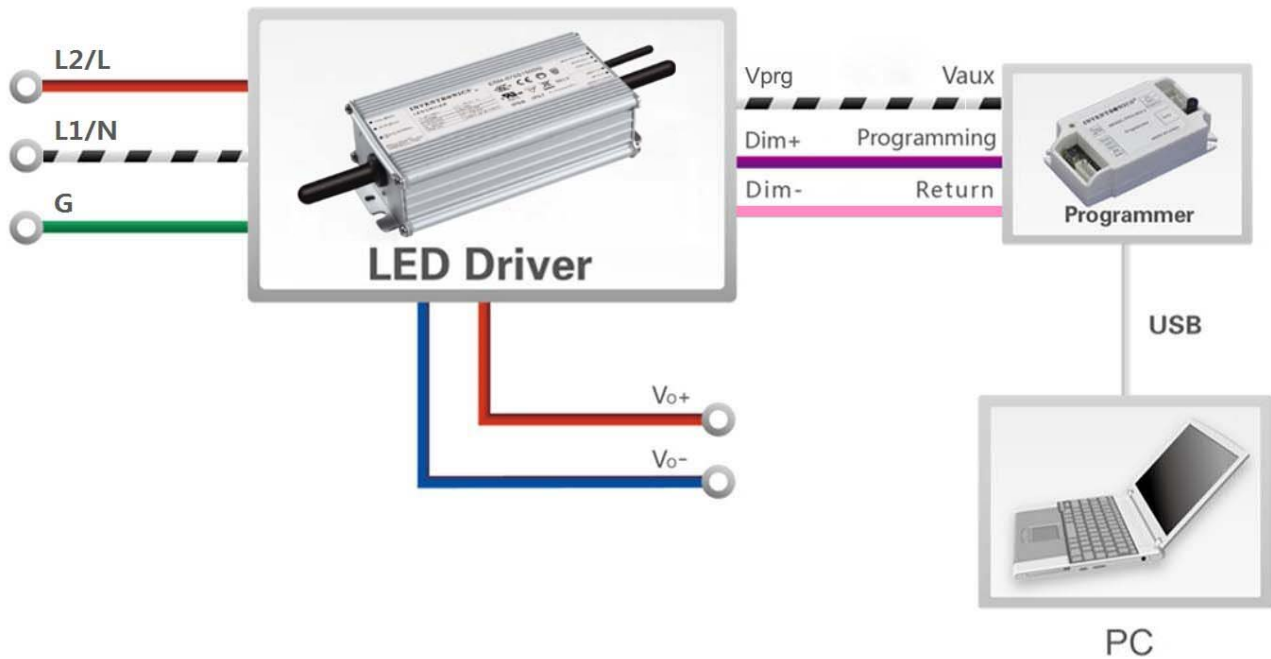
End-of-Life (EOL) is providing a visual notification to a user that the LED module has reached the end of manufacturer-specified life and that the replacement is recommended. Once active, an indication is given at each power-up of the driver, which the driver indicates this through a lower light output during the first 1 minute before normal operation is continued.

**Programming Connection Diagram**

ESM-075SxxxDG



ESM-075SxxxDT

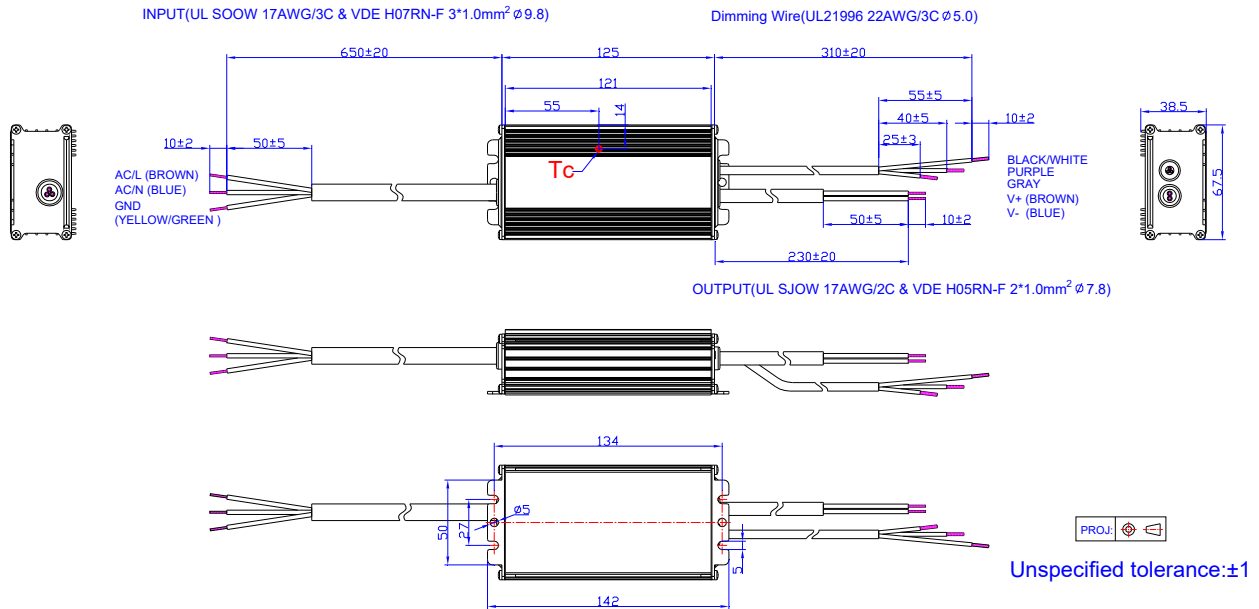


**Note:** The driver does not need to be powered on during the programming process.

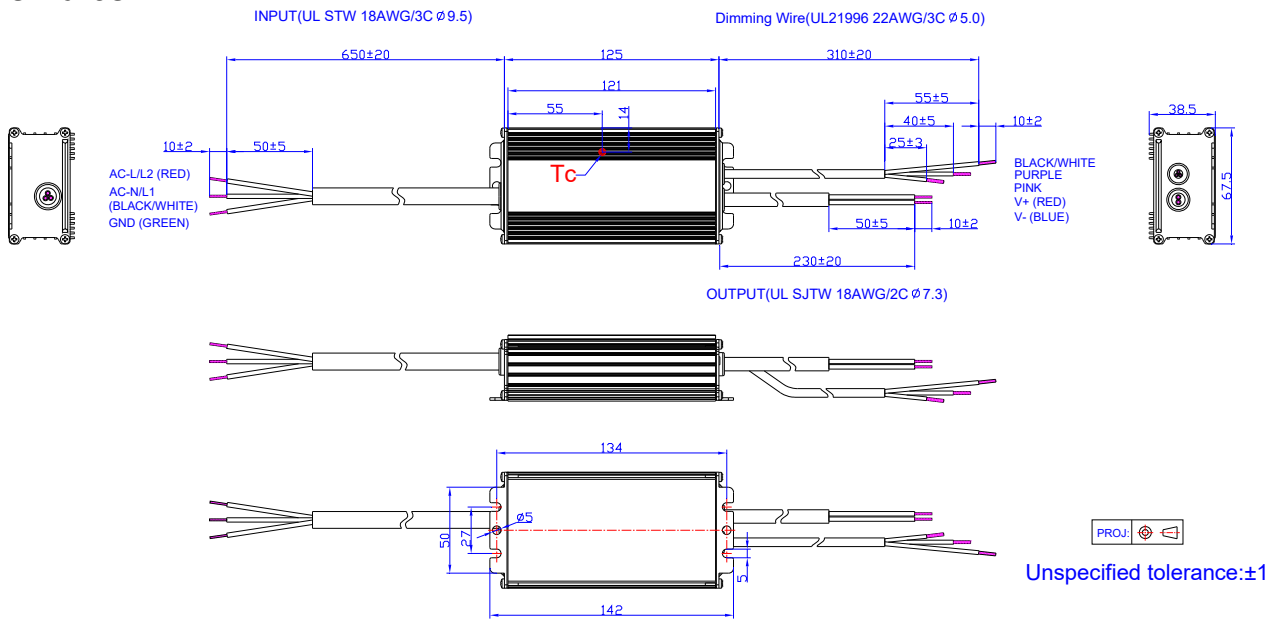
- Please refer to [PRG-MUL2](#) (Programmer) datasheet for details.

## Mechanical Outline

ESM-075SxxxDG



ESM-075SxxxDT



## RoHS Compliance

Our products comply with reference to RoHS Directive (EU) 2015/863 amending 2011/65/EU, calling for the elimination of lead and other hazardous substances from electronic products.

## Revision History

Change Date	Rev.	Description of Change		
		Item	From	To
2021-08-26	A	Datasheets Release	/	/
2022-01-22	B	UKCA logo	/	Added
		Safety & EMC Compliance	UKCA	Added
		Programming Connection Diagram	ESM-075SxxxDT	Updated
		Mechanical Outline	ESM-075SxxxDT	Updated