

## Features

- Independent Three Output Channels
- Independent Three Dimming Channels
- 135W Channel Power Transfer (Optional)
- Hot-plugging Protection
- LED Parallel Protection
- Ultra High Efficiency (Up to 95%)
- Full Power at Wide Output Current Range (Constant Power)
- Adjustable Output Current (AOC)with Programmability
- Isolated 0-10V/PWM/Resistor/3-Timer-Modes Dimmable
- INV Digital Dimming, UART Based Communication Protocol
- Dim-to-Off
- Maximum Dimming Level with 9V or 10V Selectable
- Always-on Auxiliary Power: 12Vdc, 250mA
- Low Inrush Current
- Output Lumen Compensation
- End-of-Life Indicator
- Input Surge Protection: DM 6kV, CM 10kV
- All-Around Protection: IOVP, IUVP, OVP, SCP, OTP
- IP66/IP67 and UL Dry/Damp/Wet Location
- TYPE HL, for use in a Class I, Division 2 Hazardous (Classified) Location
- 5 Years Warranty



## Description

The ESM-1K2TxxxMx series is a 1200W, 3-channel, constant-current, programmable and IP66/IP67 rated LED driver that operates from 249-528Vac input with excellent power factor. This driver can support 3-channel luminaires to adjust current separately. It provides an auxiliary voltage and dim-to-off functionality for powering low voltage, wireless controls. The dimming control supports 0-10V dimming as well as two-way communication via Digital Dimming, a UART based communication protocol. The high efficiency of these drivers and compact metal case enables them to run cooler, significantly improving reliability and extending product life. To ensure trouble-free operation, protection is provided against input surge, input under voltage, input over voltage, output over voltage, short circuit, and over temperature.

## Models

Channel	Adjustable Output Current Range	Full-Power Current Range(1)	Default Output Current	Input Voltage Range(2)	Output Voltage Range	Max. Output Power	Typical Efficiency (3)	Typical Power Factor		Model Number (4)
								277Vac	480Vac	
1	0.46-5.7A	4.6-5.7A	5.7A	249-528Vac 352-500Vdc	81-202Vdc	930W	95.0%	0.99	0.96	ESM-1K2T570Mx
2	0.185-2.1A	1.85-2.1A	1.85 A		45-73Vdc	135W				
3	0.185-2.1A	1.85-2.1A	1.85 A		45-73Vdc	135W				

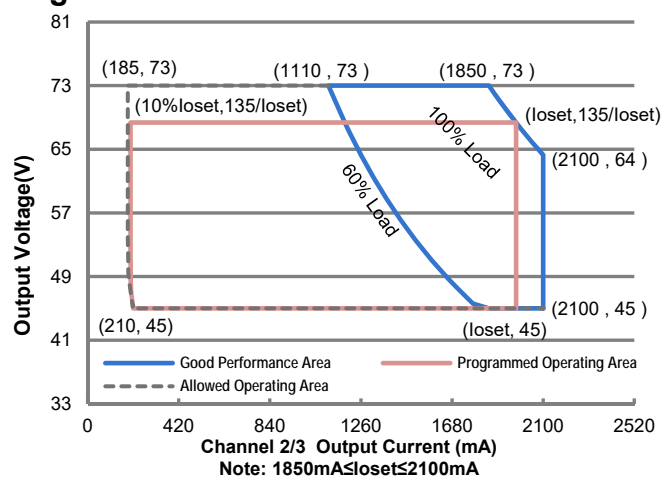
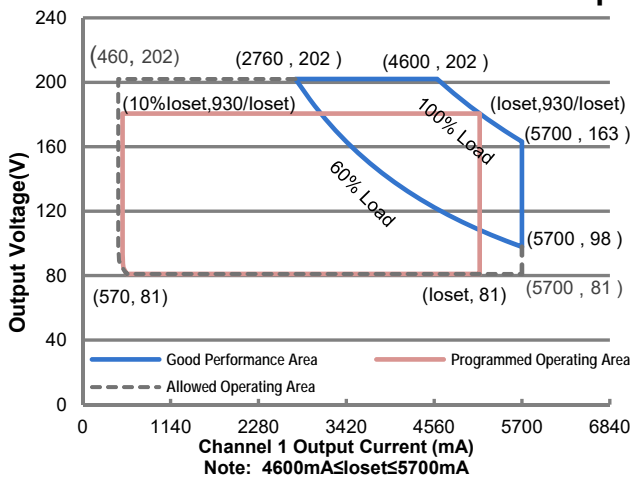
- Notes:** (1) Output current range with constant power at 1200W.  
 (2) Certified input voltage range: 277-480Vac;  
 (3) Measured at 100% load and 480Vac input (see below "General Specifications" for details).  
 (4) x = G are UL recognized, ENEC, etc. models; x = T are UL recognized, etc. models.

● Power Transfer Combination

Channel	Adjustable Output Current Range	Full-Power Current Range(1)	Default Output Current	Output Voltage Range	Max. Output Power	Typical Efficiency (2)	Notes
1	0.46-5.7 A	4.6-5.7 A	5.7 A	81-202Vdc	930W	95.0%	Default mode
2	0.185-2.1 A	1.85-2.1 A	1.85 A	45-73Vdc	135W		
3	0.185-2.1 A	1.85-2.1 A	1.85 A	45-73Vdc	135W		
1	0.53-6.5 A	5.3-6.5 A	6.5 A	81-202Vdc	1065W	95.0%	When CH2 is dimmed to off, the power can be transferred to channel 1 by setting Inventronics Programming software.
2	-	-	-	-	-		
3	0.185-2.1 A	1.85-2.1 A	1.85 A	45-73Vdc	135W		
1	0.53-6.5 A	5.3-6.5 A	6.5 A	81-202Vdc	1065W	95.0%	When CH3 is dimmed to off, the power can be transferred to channel 1 by setting Inventronics Programming software.
2	0.185-2.1 A	1.85-2.1 A	1.85 A	45-73Vdc	135W		
3	-	-	-	-	-		
1	0.59-7.4 A	5.9-7.4 A	7.4 A	81-202Vdc	1200W	95.0%	When CH2 and CH3 are dimmed to off, the power can be transferred to channel 1 by setting Inventronics Programming software.
2	-	-	-	-	-		
3	-	-	-	-	-		

Notes: (1) Output current range with constant power at 1200W.  
 (2) Measured at 100% load, default output current and 480Vac input.

I-V Operating Area



Input Specifications

Parameter	Min.	Typ.	Max.	Notes
Input AC Voltage	249 Vac	-	528 Vac	
Input DC Voltage	352 Vdc	-	500 Vdc	
Input Frequency	47 Hz	-	63 Hz	
Leakage Current	-	-	0.75 MIU	UL 8750; 480Vac/ 60Hz, grounding effectively
	-	-	0.70 mA	IEC 60598-1; 480Vac/ 60Hz, grounding effectively

## Input Specifications (Continued)

Parameter	Min.	Typ.	Max.	Notes
Input AC Current	-	-	5.18 A	Measured at 100% load and 277 Vac input.
	-	-	2.98 A	Measured at 100% load and 480 Vac input.
Inrush Current(I <sup>2</sup> t)	-	-	2.61 A <sup>2</sup> s	At 480Vac input, 25°C cold start, duration=14.5 ms, 10%I <sub>pk</sub> -10%I <sub>pk</sub> . See Inrush Current Waveform for the details.
PF	0.90	-	-	At 277-480Vac, 50-60Hz, 60%-100% Load (720 - 1200W)
THD	-	-	20%	

## Output Specifications

Parameter	Min.	Typ.	Max.	Notes
Output Current Tolerance	-5%loset	-	5%loset	100% load
Output Current Setting(loset Range)				
CH1	460 mA	-	5700 mA	
CH2	185 mA	-	2100 mA	
CH3	185 mA	-	2100 mA	
Output Current Setting Range with Constant Power				
CH1	4600 mA	-	5700 mA	
CH2	1850 mA	-	2100 mA	
CH3	1850 mA	-	2100 mA	
Total Output Current Ripple (pk-pk)	-	5%lomax	10%lomax	100% load, 20 MHz BW
Output Current Ripple at < 200 Hz (pk-pk)	-	2%lomax	-	70%-100% load
Startup Overshoot Current	-	-	10%lomax	100% load
No Load Output Voltage				
CH1	-	-	230 V	
CH2	-	-	85 V	
CH3	-	-	85 V	
Line Regulation	-	-	±0.5%	100% load
Load Regulation	-	-	±3.0%	
Turn-on Delay Time	-	-	0.5 s	Measured at 277-480Vac input, 60%-100% Load
Temperature Coefficient of loset	-	0.03%/°C	-	Case temperature = 0°C ~T <sub>c</sub> max
12V Auxiliary Output Voltage	10.8 V	12 V	13.2 V	
12V Auxiliary Output Source Current	0 mA	-	250 mA	Return terminal is "Dim-"
12V Auxiliary Output Transient Peak Current@ 6W	-	-	500 mA	500mA peak for a maximum duration of 2.2ms in a 6.0ms period during which time the average should not exceed 250mA.
12V Auxiliary Output Transient Peak Current@ 10W	-	-	850 mA	850mA peak for a maximum duration of 1.3ms in a 5.2ms period during which time the average should not exceed 250mA.

**Note:** The three Independent channels cannot be connected to each other, otherwise the driver will not work properly or even be damaged.

## General Specifications

Parameter	Min.	Typ.	Max.	Notes
Efficiency at 277 Vac input: CH1+CH2+CH3 Io= (4600+1850+1850) mA Io= (5700+2100+2100) mA	91.5% 91.5%	93.5% 93.5%	- -	Measured at 100% load and steady-state temperature in 25°C ambient; (Efficiency will be about 2.0% lower if measured immediately after startup.)
Efficiency at 400 Vac input: CH1+CH2+CH3 Io= (4600+1850+1850) mA Io= (5700+2100+2100) mA	92.5% 92.5%	94.5% 94.5%	- -	Measured at 100% load and steady-state temperature in 25°C ambient; (Efficiency will be about 2.0% lower if measured immediately after startup.)
Efficiency at 480 Vac input: CH1+CH2+CH3 Io= (4600+1850+1850) mA Io= (5700+2100+2100) mA	93.0% 93.0%	95.0% 95.0%	- -	Measured at 100% load and steady-state temperature in 25°C ambient; (Efficiency will be about 2.0% lower if measured immediately after startup.)
Standby Power	-	1.5 W		Measured at 480Vac/50Hz; Dimming off
MTBF	-	204,000 Hours	-	Measured at 480Vac input, 80%Load and 25°C ambient temperature (MIL-HDBK-217F)
Lifetime	-	120,000 Hours	-	Measured at 480Vac input, 80%Load and 70°C case temperature; See lifetime vs. Tc curve for the details
	-	57,000 Hours	-	Measured at 277Vac input, 100%Load and 40°C ambient temperature
Operating Case Temperature for Safety Tc_s	-40°C	-	+90°C	
Operating Case Temperature for Warranty Tc_w	-40°C	-	+80°C	Case temperature for 5 years warranty Humidity: 10%RH to 95%RH
Storage Temperature	-40°C	-	+85°C	Humidity: 5%RH to 95%RH
Dimensions Inches (L × W × H) Millimeters (L × W × H)	13.94 × 5.67 × 1.91 354 × 144 × 48.5			With mounting ear 14.92 × 5.67 × 1.91 379 × 144 × 48.5
Net Weight	-	4900 g	-	

## Dimming Specifications

Parameter	Min.	Typ.	Max.	Notes	
Absolute Maximum Voltage on the Vdim (+) Pin	-20 V	-	20 V		
Source Current on Vdim (+)Pin	90 uA	100 uA	110 uA	Vdim(+) = 0 V	
Dimming Output Range with 10%-100%	CH1	10%I <sub>o</sub> set	-	I <sub>o</sub> set	4600 mA ≤ I <sub>o</sub> set ≤ 5700 mA 1850 mA ≤ I <sub>o</sub> set ≤ 2100 mA 1850 mA ≤ I <sub>o</sub> set ≤ 2100 mA
	CH2				
	CH3				
	CH1	460 mA	-	I <sub>o</sub> set	
CH2	185 mA				
CH3	185 mA				
Recommended Dimming Input Range	0 V	-	10 V	Default 0-10V dimming mode.	
Dim off Voltage	0.35 V	0.5 V	0.65 V		
Dim on Voltage	0.55 V	0.7 V	0.85 V		
Hysteresis	-	0.2 V	-		

## Dimming Specifications (Continued)

Parameter	Min.	Typ.	Max.	Notes
PWM_in High Level	3 V	-	10 V	Dimming mode set to PWM in Inventronics PC programming interface.
PWM_in Low Level	-0.3 V	-	0.6 V	
PWM_in Frequency Range	200 Hz	-	3 KHz	
PWM_in Duty Cycle	1%	-	99%	
PWM Dimming off (Positive Logic)	3%	5%	8%	
PWM Dimming on (Positive Logic)	5%	7%	10%	
PWM Dimming off ( Negative Logic)	92%	95%	97%	
PWM Dimming on ( Negative Logic)	90%	93%	95%	
Hysteresis	-	2%	-	

## Safety & EMC Compliance

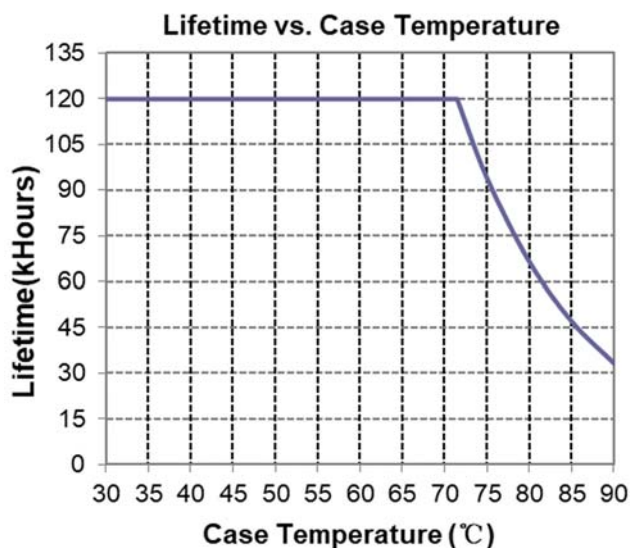
Safety Category	Standard
UL/CUL	UL 8750,CAN/CSA-C22.2 No. 250.13
ENEC & CE	EN 61347-1, EN 61347-2-13
UKCA	BS EN 61347-1, BS EN 61347-2-13
CB	IEC 61347-1, IEC 61347-2-13
Performance	Standard
ENEC	EN 62384
EMI Standards	Notes
BS EN/EN IEC 55015 <sup>(1)</sup>	Conducted emission Test & Radiated emission Test
BS EN/EN IEC 61000-3-2	Harmonic current emissions
BS EN/EN 61000-3-3	Voltage fluctuations & flicker
FCC Part 15 <sup>(1)</sup>	ANSI C63.4 Class B
	This device complies with Part 15 of the FCC Rules. Operation is subject to the following two conditions: [1] this device may not cause harmful interference, and [2] this device must accept any interference received, including interference that may cause undesired Operation.
EMS Standards	Notes
BS EN/EN 61000-4-2	Electrostatic Discharge (ESD): 8 kV air discharge, 4 kV contact discharge
BS EN/EN 61000-4-3	Radio-Frequency Electromagnetic Field Susceptibility Test-RS
BS EN/EN 61000-4-4	Electrical Fast Transient / Burst-EFT
BS EN/EN 61000-4-5	Surge Immunity Test: AC Power Line: Differential Mode 6 kV, Common Mode 10 kV
BS EN/EN 61000-4-6	Conducted Radio Frequency Disturbances Test-CS

## Safety & EMC Compliance (Continued)

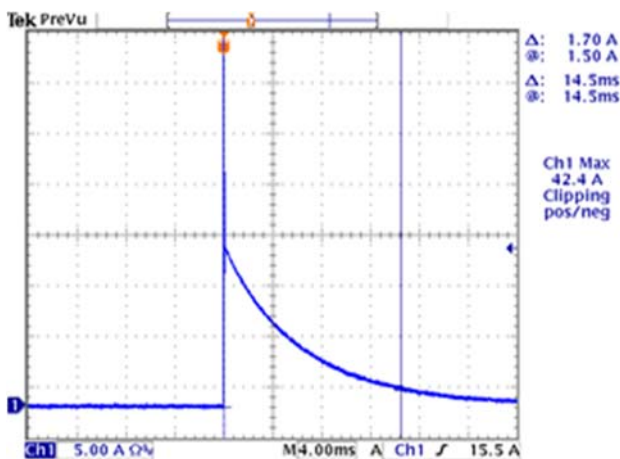
EMS Standards	Notes
BS EN/EN 61000-4-8	Power Frequency Magnetic Field Test
BS EN/EN 61000-4-11	Voltage Dips
BS EN/EN 61547	Electromagnetic Immunity Requirements Applies To Lighting Equipment

**Note:** (1) This LED driver meets the EMI specifications above, but EMI performance of a luminaire that contains it depends also on the other devices connected to the driver and on the fixture itself.

## Lifetime vs. Case Temperature

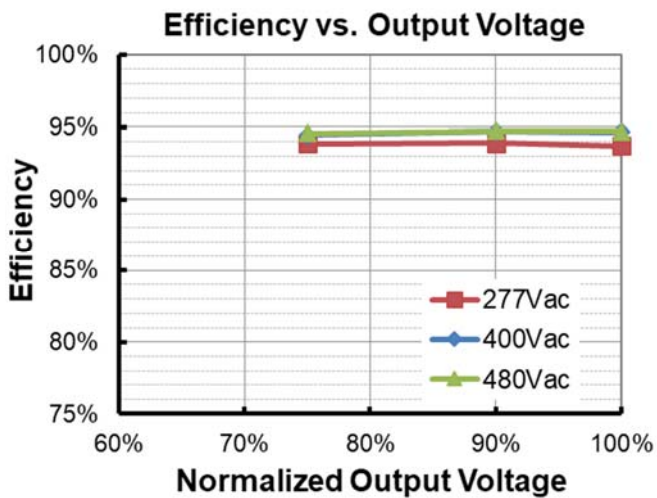


## Inrush Current Waveform

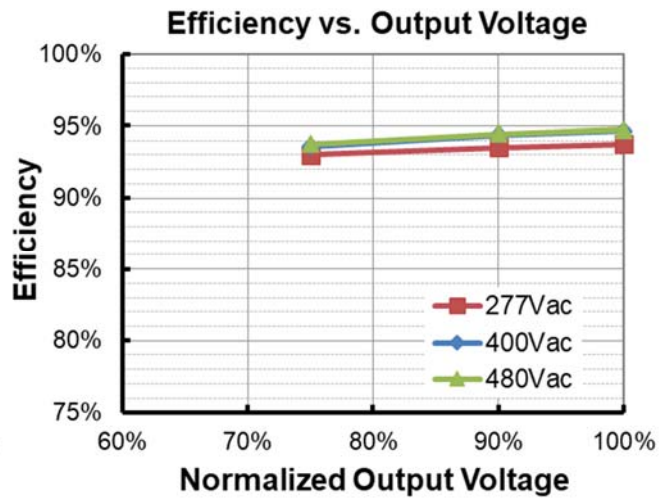


## Efficiency vs. Load

ESM-1K2T570Mx(Io=4600+1850+1850mA)

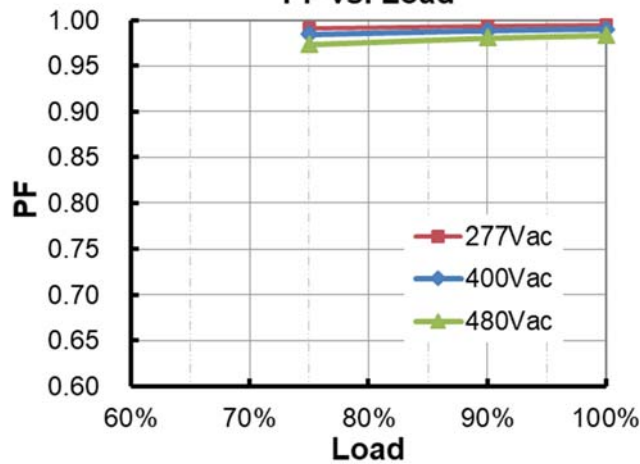


ESM-1K2T570Mx(Io=5700+2100+2100mA)



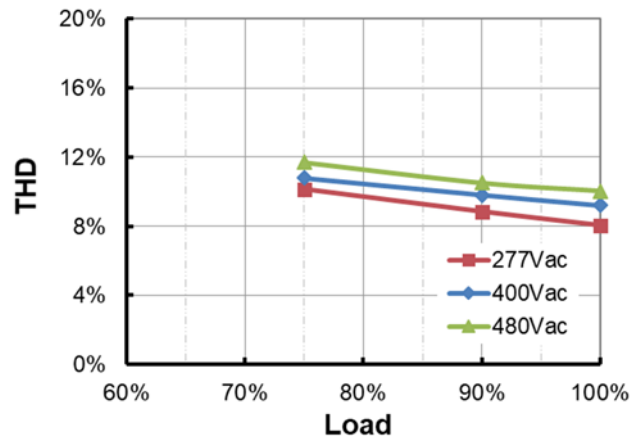
## Power Factor

PF vs. Load



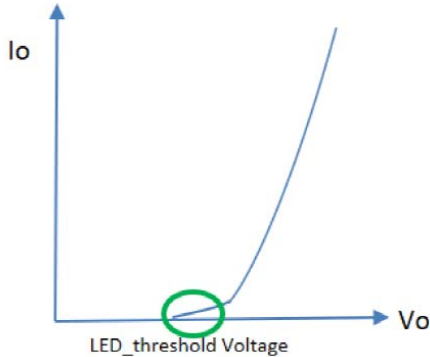
## Total Harmonic Distortion

THD vs. Load



## Hot-plugging Protection

This feature protects LEDs when connecting to a driver that is already powered on. This is disabled by default and can be enabled through the Inventronics PC programming interface.



LED threshold voltage ( $V_{th}$ ) is the minimum voltage required for current to flow through the LED load. After this threshold is met, the LED forward voltage ( $V_f$ ) increases as the current increases.

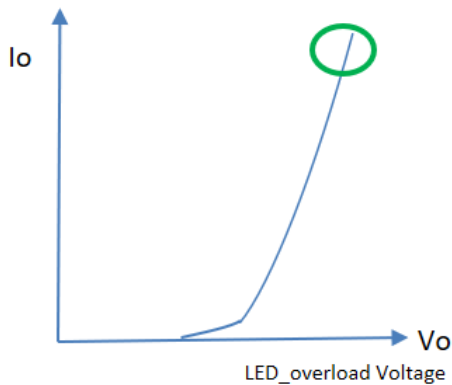
Set  $V_{th}$  close to, but higher than the actual LED threshold voltage for optimized performance. The greater the difference between the  $V_{th}$  setting and the actual LED threshold voltage, the higher the overshoot current will be. The  $V_{th}$  setting must be lower than  $V_f$ .

Please test, program, and tune this feature for each LED load design.

Parameter		Min.	Typ.	Max.	Notes
Hot-plugging Protection	LED Threshold Voltage Setting Range	CH1	81 V	-	202 V
		CH2	45 V	-	73 V
		CH3	45 V	-	73 V
	Setting Tolerance		-2%	-	2%

## Parallel LED Protection

This feature helps protect parallel LEDs from a high, overcurrent condition by limiting the voltage. This is disabled by default and can be enabled through the Inventronics PC programming interface



Set  $V_{overload}$  close to, but higher than the maximum forward voltage for optimized performance. The greater the difference between the  $V_{overload}$  setting and the maximum forward voltage, the higher the overload stress will be. The  $V_{overload}$  setting must be higher than  $V_f$ .

Please test, program, and tune this feature for each LED load design.

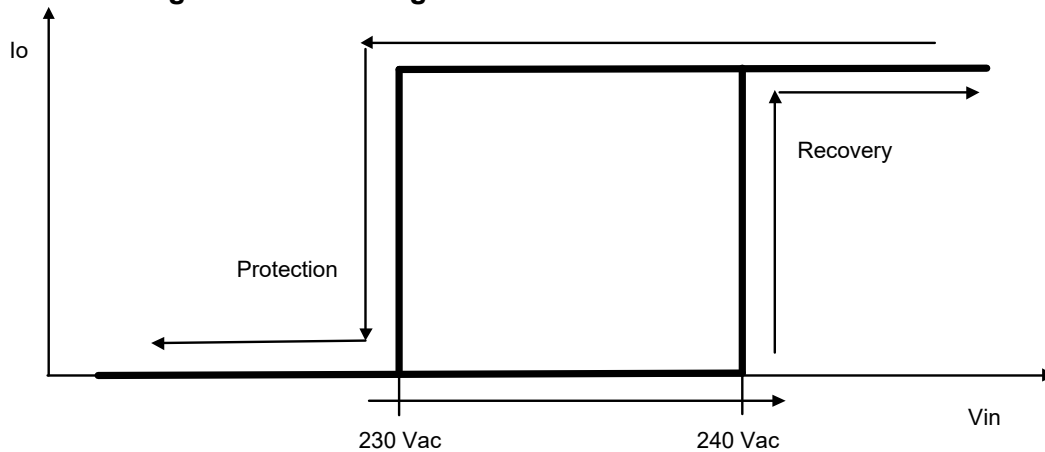
Parameter		Min.	Typ.	Max.	Notes
Parallel LED Protection	Overload Voltage Setting Range	CH1	85 V	-	210 V
		CH2	45 V	-	76 V
		CH3	45 V	-	76 V
	Setting Tolerance		-2%	-	2%



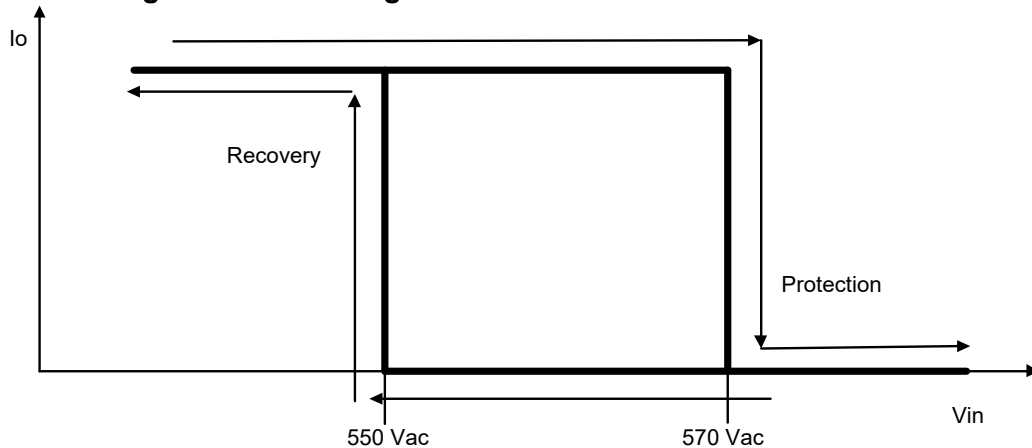
## Protection Functions

Parameter		Min.	Typ.	Max.	Notes
Over Temperature Protection		Decreases output current gradually, returning to normal after over temperature is removed.			
Short Circuit Protection		Auto Recovery. No damage will occur when any output is short circuited. The output shall return to normal when the fault condition is removed.			
Over Voltage Protection		Limits output voltage at no load and in case the normal voltage limit fails.			
Input Under Voltage Protection (IUVP)	Input Protection Voltage	220 Vac	230 Vac	240 Vac	Turn off the output when the input voltage falls below protection voltage.
	Input Recovery Voltage	230 Vac	240 Vac	250 Vac	Auto Recovery. The driver will restart when the input voltage exceeds recovery voltage.
Input Over Voltage Protection (IOVP)	Input Over Voltage Protection	550 Vac	570 Vac	590 Vac	Turn off the output when the input voltage exceeds protection voltage.
	Input Over Voltage Recovery	530 Vac	550 Vac	570 Vac	Auto Recovery. The driver will restart when the input voltage falls below recovery voltage.
	Max. of Input Over Voltage	-	-	590 Vac	The driver can survive for 8 hours with a stable input voltage stress of 590Vac.

### ● Input Under Voltage Protection Diagram



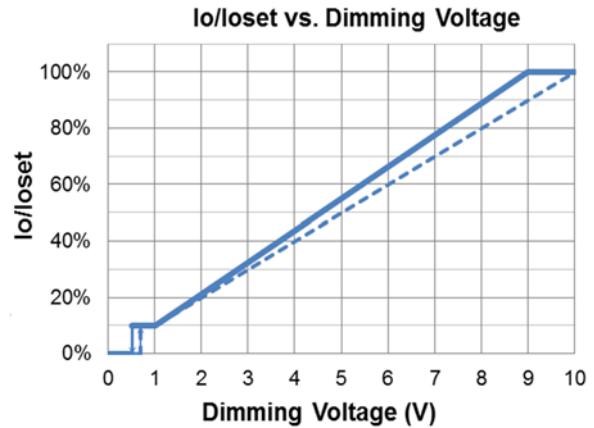
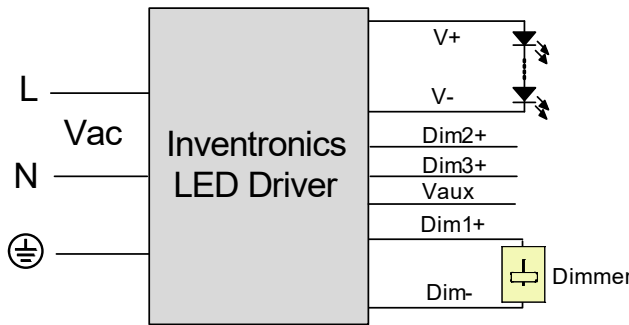
### ● Input Over Voltage Protection Diagram



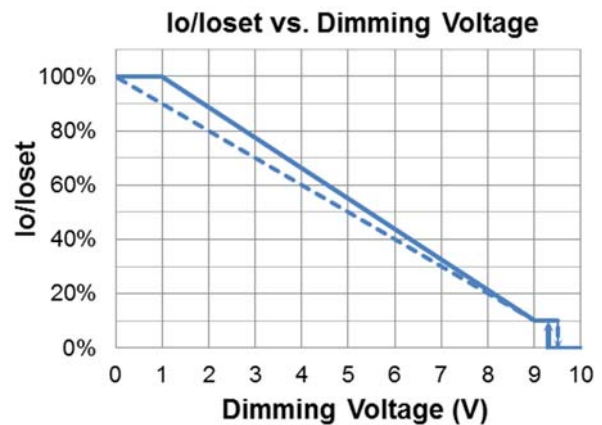
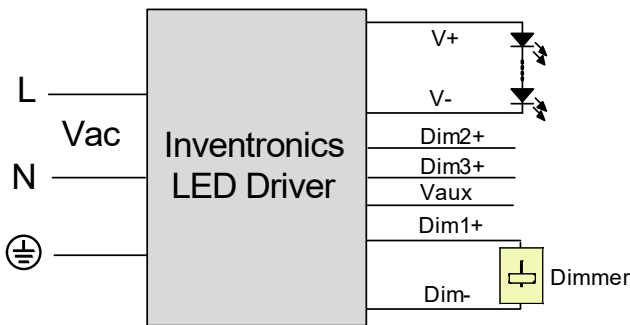
## Dimming

### ● 0-10V Dimming

The recommended implementation of the dimming control is provided below.



Implementation 1: Positive logic



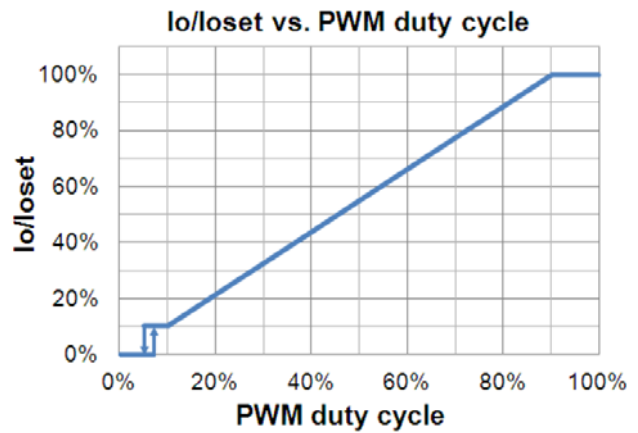
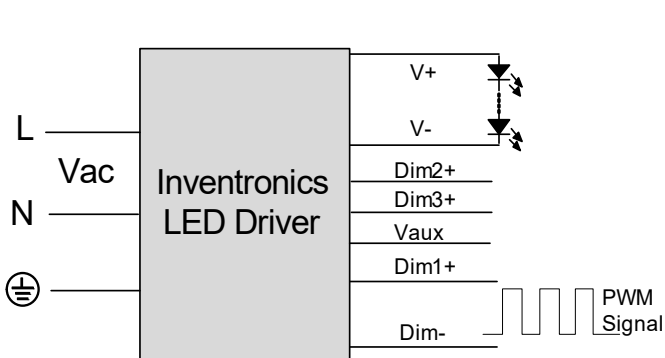
Implementation 2: Negative logic

### Notes:

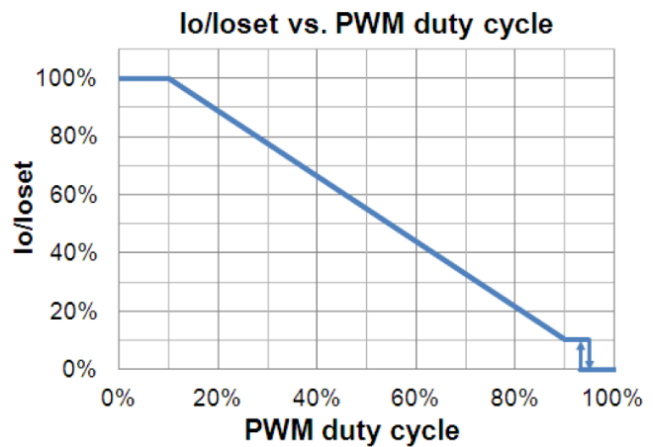
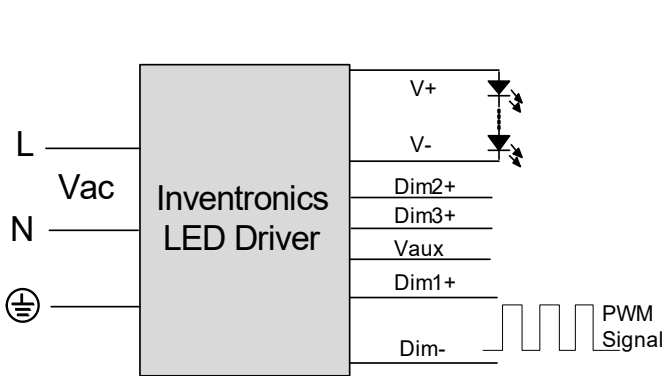
1. Do NOT connect Dim- to the output V- or V+, otherwise the driver will not work properly.
2. The dimmer can also be replaced by an active 0-10V voltage source signal or passive components like zener.
3. When 0-10V negative logic dimming mode and Dim+ is open, the driver will dim to off and be standby.

## ● PWM Dimming

The recommended implementation of the dimming control is provided below.



Implementation 3: Positive logic



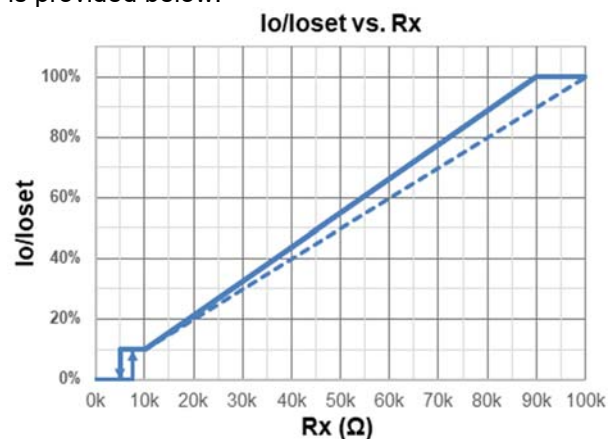
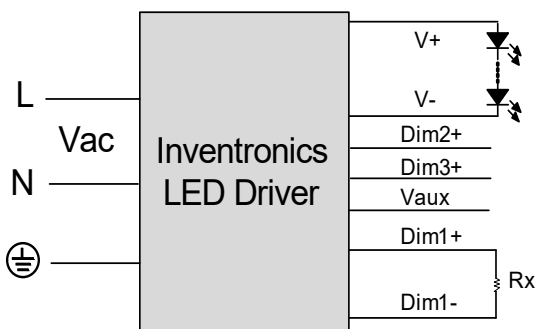
Implementation 4: Negative logic

### Notes:

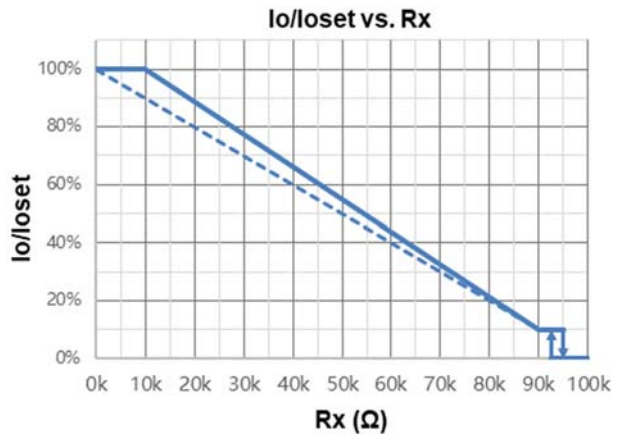
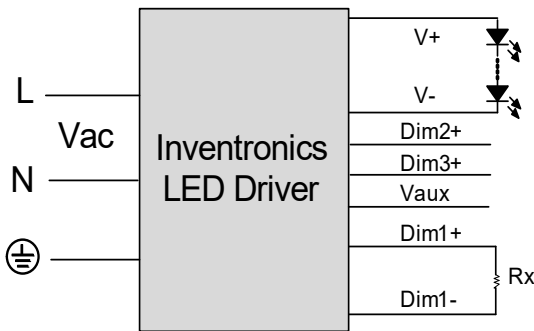
1. Do NOT connect Dim- to the output V- or V+, otherwise the driver will not work properly.
2. When PWM negative logic dimming mode and Dim+ is open, the driver will dim to off and be standby.

## ● Resistor Dimming

The recommended implementation of the dimming control is provided below.



Implementation 5: Positive logic



## Implementation 6: Negative logic

### Notes:

1. Do NOT connect Dim- to the output V- or V+, otherwise the driver will not work properly.
2. When resistor negative logic dimming mode and Dim+ is open, the driver will dim to off and be standby.

### ● Time Dimming

Time dimming control includes 3 kinds of modes, they are Self Adapting-Midnight, Self Adapting-Percentage and Traditional Timer.

- **Self Adapting-Midnight:** Automatically adjusts the dimming curve based on the on-time of past two days (if difference <15 minutes), assuming that the center point of the dimming curve is midnight local time.
- **Self Adapting-Percentage:** Automatically adjusts the on-time of each step by a constant percentage = (actual on-time for the past 2 days if difference <15 min) / (programmed on-time from the dimming curve).
- **Traditional Timer:** Follows the programmed timing curve after power on with no changes.

### ● Output Lumen Compensation

Output Lumen Compensation (OLC) may be used to maintain constant light output over the life of the LEDs by driving them at a reduced current when new, then gradually increasing the drive current over time to counteract LED lumen degradation.

### ● Maximum Dimming Level with 9V or 10V Selectable

The maximum dimming level can be set as corresponding dimming voltage is 9V or 10V by Inventronics Multi Programmer, 9V is default.

### ● Fade Time Adjustable

Soft-start time and dimming slope can be adjusted by Inventronics Multi Programmer to get customized fade time experience, disable mode is default.

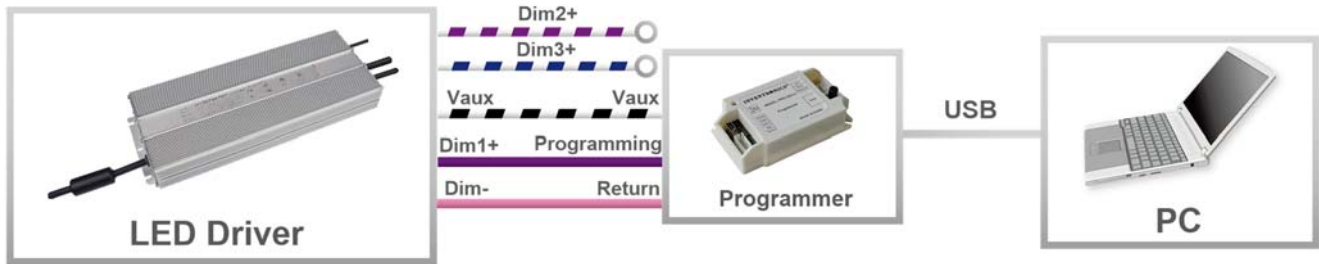
### ● End Of Life

End-of-Life (EOL) is providing a visual notification to a user that the LED module has reached the end of manufacturer-specified life and that the replacement is recommended. Once active, an indication is given at each power-up of the driver, which the driver indicates this through a lower light output during the first 1 minute before normal operation is continued.

### ● Digital Dimming

Inventronics Digital Dimming is a UART (Universal Asynchronous Receive Transmitter) based communication protocol. Please refer to [Inventronics Digital Dimming](#) file for details

## Programming Connection Diagram

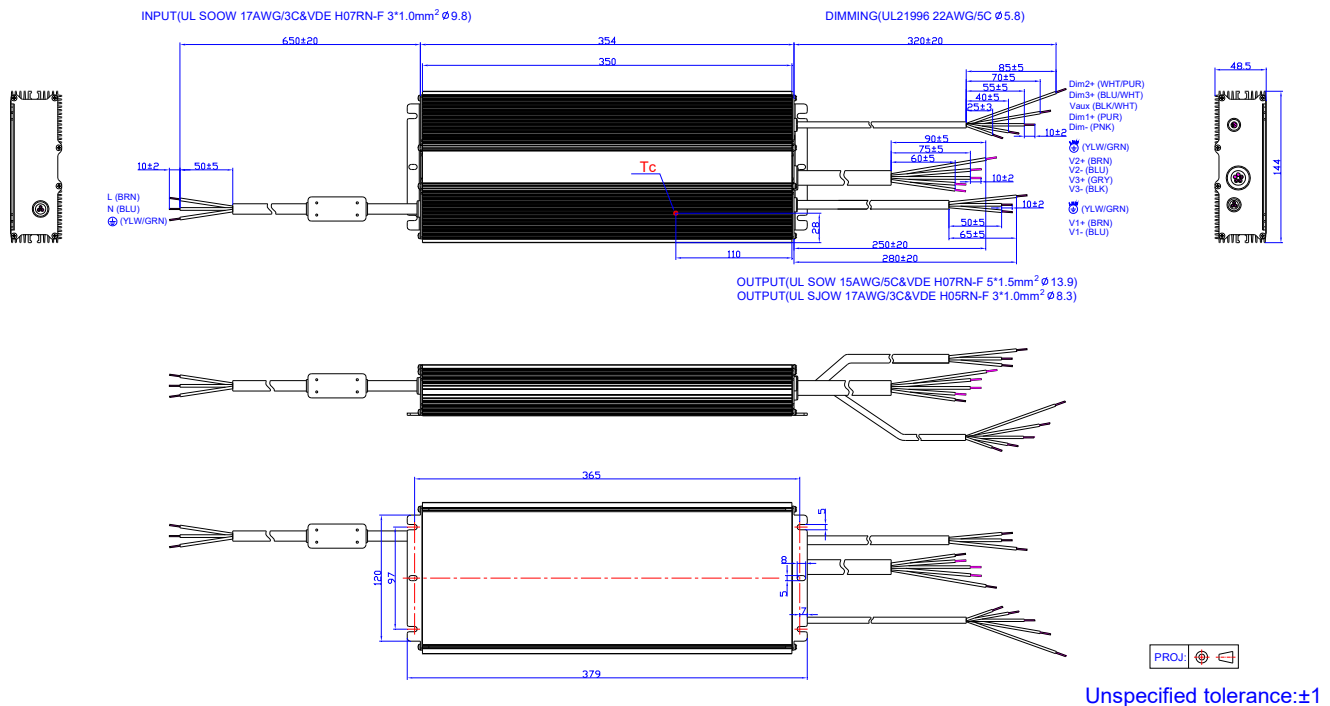


**Note:** The driver does not need to be powered on during the programming process.

- Please refer to [PRG-MUL2](#) (Programmer) datasheet for details.

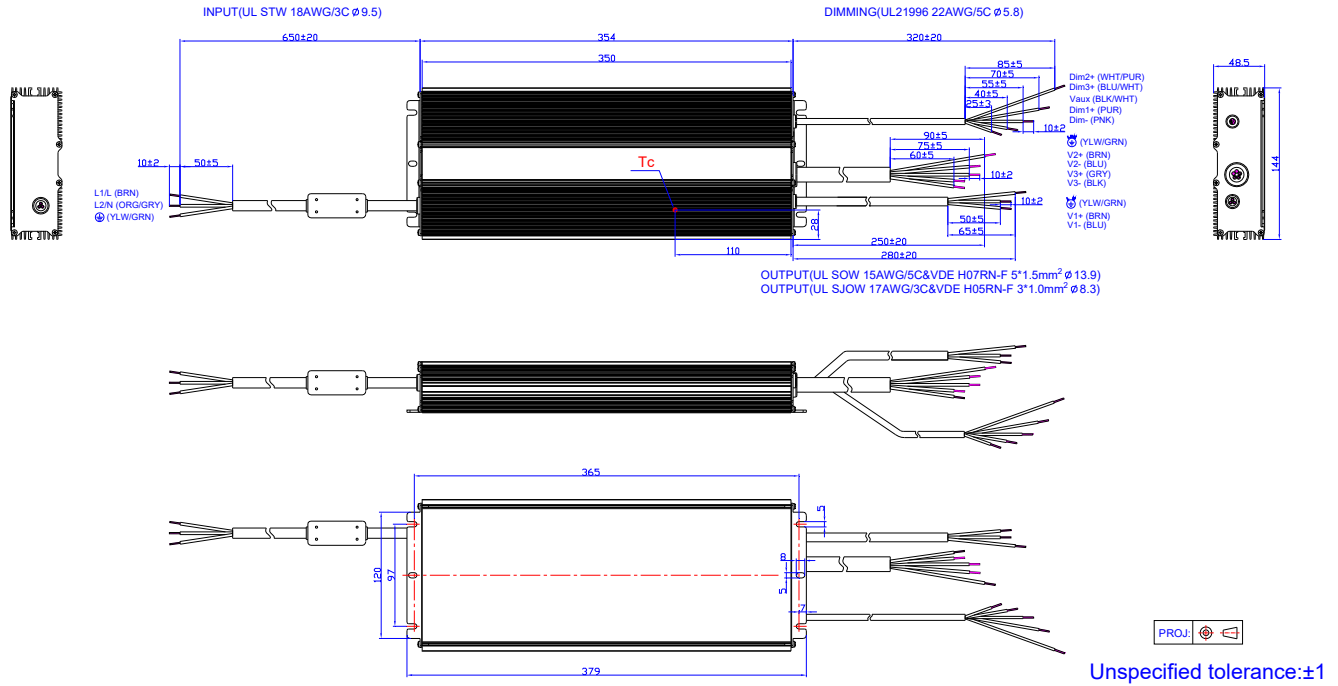
## Mechanical Outline

ESM-1K2T570MG



Unspecified tolerance: ±1

ESM-1K2T570MT



## RoHS Compliance

Our products comply with reference to RoHS Directive (EU) 2015/863 amending 2011/65/EU, calling for the elimination of lead and other hazardous substances from electronic products.

## Revision History

Change Date	Rev.	Description of Change		
		Item	From	To
2023-04-04	A	Datasheet Release	/	/