

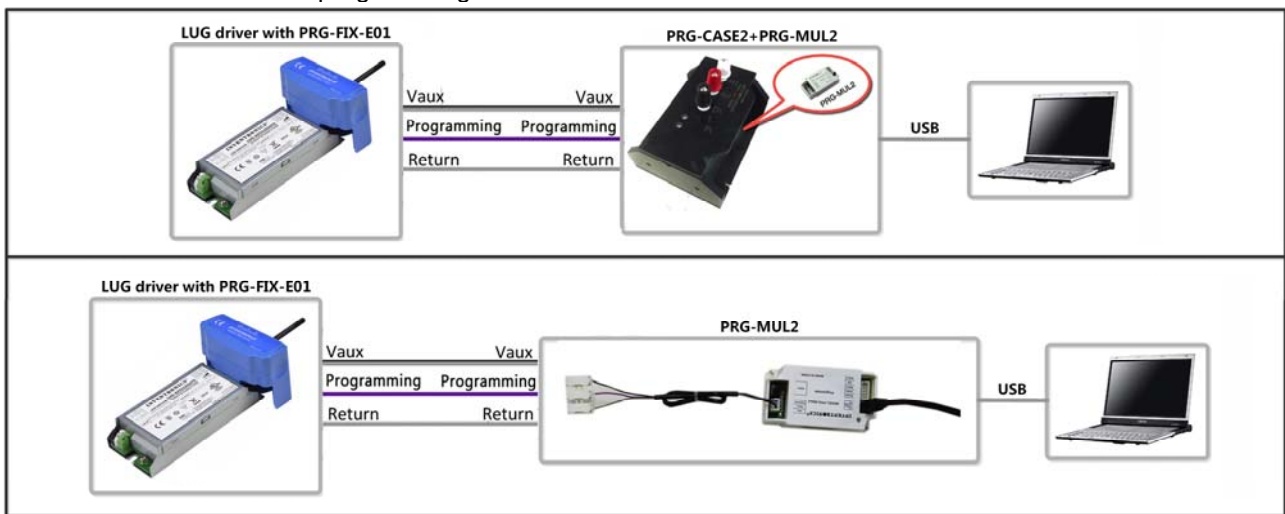
Features

- Fast Plug-In Programming for LUG Driver
- No AC Power Required for LUG Driver when Programming



Description

The PRG-FIX-E01 is a fast programming fixture for Inventronics LUG series drivers.



Model

Name	Description	Part Number
Programming Fixture	For mass programming application	PRG-FIX-E01

Compatible List

Fixture	Driver Part Number	Note
PRG-FIX-E01	LUG-025SxxxDTE	No need of AC power when programming
	LUG-040SxxxDTE	

Environmental Specifications

Parameter	Min.	Typ.	Max.	Notes
Operating Temperature	-20 °C	-	+50 °C	Humidity: 10%RH to 90%RH. No condensation.
Storage Temperature	-40 °C	-	+70 °C	Humidity: 5%RH to 90%RH. No condensation.

General Specifications

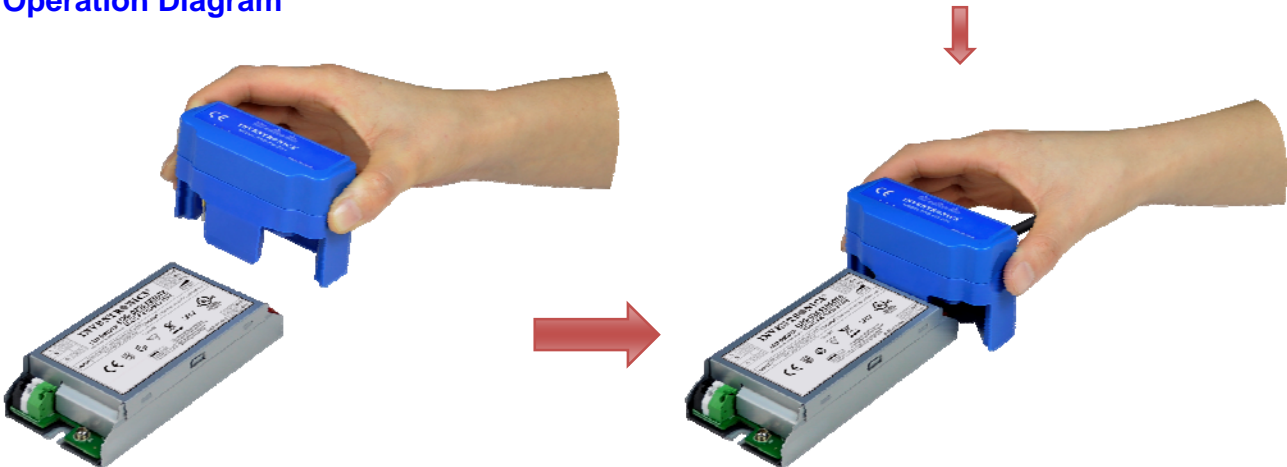
Parameter	Min.	Typ.	Max.	Notes
Dimensions Inches (L x W x H) Millimeters (L x W x H)		3.45 x 1.56 x 2.36 87.5 x 39.5 x 59.8		
Net Weight	-	315 g	-	

Note: All specifications are typical at 25°C unless otherwise stated.

Packing List

Packing List	Function
PRG-FIX-E01	Fixture

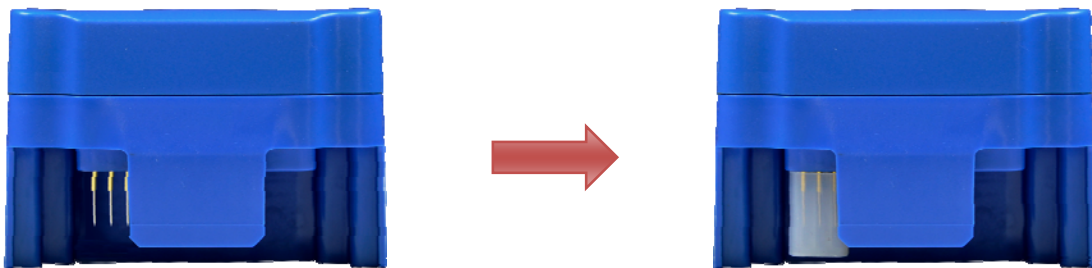
Operation Diagram



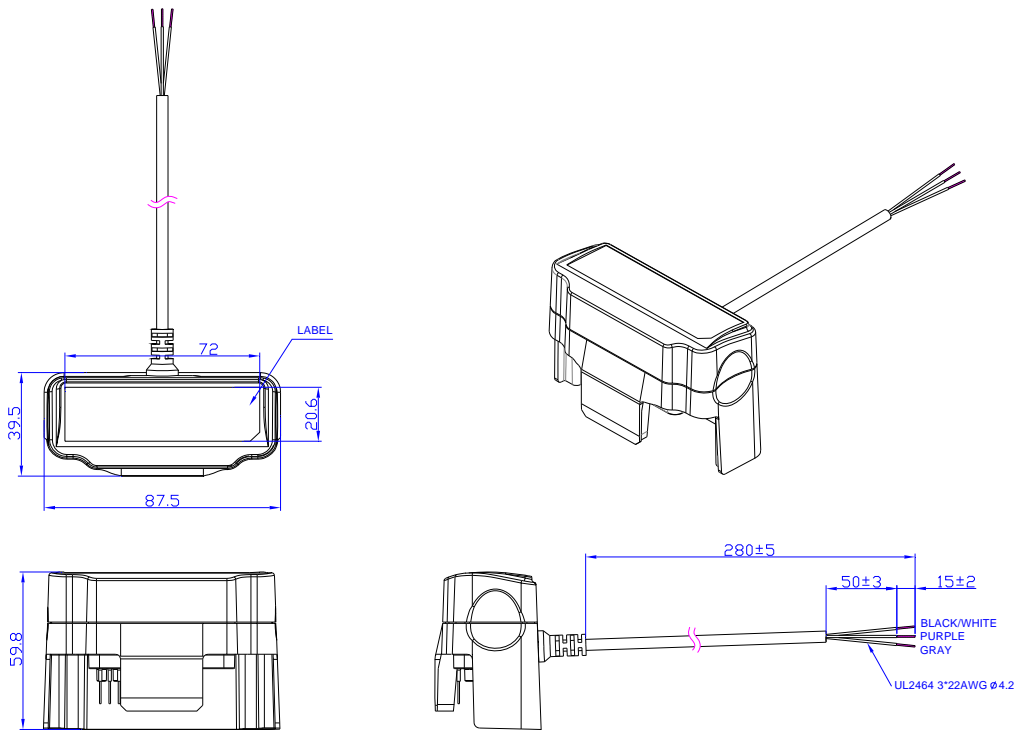
Note: The metal probe is safe voltage for touch but it is sharp, please take care of your finger when programming.

Cautions

1. Fixture is designed for vertical mating. Lateral pressure on the pins may cause damage to the fixture.
2. To protect the fixture when not in use, it is recommended the plastic jacket be used to protect the pins.



Mechanical Outline



PROJ:

Unspecified tolerance: ±1

RoHS Compliance

Our products comply with the European Directive 2011/65/EU, calling for the elimination of lead and other hazardous substances from electronic products.

Revision History

Change Date	Rev.	Description of Change		
		Item	From	To
2018-02-09	A	Datasheet Release	/	/