

Features

- Supports DALI interface driver Programming
- Supports 0-10V Programmable Driver Programming
- Supports Other Controllers (TDD-ANPNx, SDD-AAPNx)
- Off-line programming capability
- Auto programming Mode
- Selectable tools for mass programming



Models

| Name | Description | Model Number |
|------------------|--|--------------|
| Multi programmer | 2 nd Generation Multiple Programmer | PRG-MUL2 |

Interface Specifications

| Parameter | Min. | Typ. | Max. | Notes |
|----------------------------|-------|-------|--------|-----------------------------------|
| Vaux Voltage | 9.8 V | 12 V | 13.2 V | Auxiliary Supply Voltage |
| Vaux Source Current | 0 | - | 20 mA | Auxiliary Supply Current |
| (Red LED,Green LED)Voltage | 1.6 V | - | 3 V | Voltage of External LED indicator |
| (Red LED,Green LED)Current | 0 | - | 10 mA | Current of External LED indicator |
| (Push Button) Voltage | - | - | 3.3 V | Voltage of External Push button |
| (Buzzer) Voltage | - | - | 5 V | Voltage of External Buzzer |
| (Buzzer) Current | - | 30 mA | - | Current of External Buzzer |
| 5V USB current consumption | - | - | 300 mA | Use USB charger or PC USB |

Function Description

● Off-line Programming

At PC end, the upper software can download the configuration to the programmer, then only 5V power supply is needed to program the drivers or controllers.

● Automatic Programming

When this function is enabled, after connecting the programming leads to the programmer, it will download the configuration to the controller or driver.

Long Push Button(5s<T<10s), the Automatic function will be disabled or enabled.

When the function has been turned on, the Red LED will flicker 2 times, each time lasts 0.5 second. When the function has been turned off, the Green LED will flicker 2 times, each time lasts 0.5 second.

● Buzzer

The programmer provides a port for connecting to an external Buzzer if needed.

When programming has finished successfully, the buzzer will beep for 0.5 seconds.

Long Push Button(T>10s), it will enable or disable the buzzer function.

When the buzzer function is enabled by above action, the buzzer will beep 2 second, or it will beep 0.5s that means the function is disabled.

● Product Series Matching Verify

Before starting the programming, the programmer will read the driver model information. If the configuration model does not match the driver model, the upper software will show fail message, and the red LED will turn on.

The matching function is selectable at PC end. The default setting is “on”.

Notes:

1. 0~xV controller does not support matching function for it only supports one direction protocol.
2. Green LED indicates successful programming. Red LED indicates failed programming.

LED indicator mode

| Status | Manual Mode | | Automatic Mode | |
|-------------|-------------------------|-------------------------|-------------------------|-------------------------------|
| | Red LED | Green LED | Red LED | Green LED |
| Start up | flicker N times in 0.5s | flicker N times in 0.5s | flicker N times in 0.5s | flicker N times in 0.5s |
| Standby | off | on | off | Flicker continuously (per 1s) |
| Programming | off | Flicker continuously | off | Flicker continuously |
| Succeed | off | on | off | on |
| Failed | on | off | on | off |

Notes: the “N” in the table indicate the programming mode, refer to the below.

N=1 Off-line programming mode for 0~xV controller.

N=2 Off-line programming mode for Timer controller.

N=3 Off-line programming mode for constant power driver.

N=4 Off-line programming mode for DALI supported driver.

Environmental Specifications

| Parameter | Min. | Typ. | Max. | Notes |
|-----------------------|--------|------|--------|---|
| Operating temperature | -20 °C | - | +50 °C | Humidity: 10%RH to 90%RH. No condensation. |
| Storage temperature | -40 °C | - | +70 °C | Humidity: 5%RH to 90%RH. No condensation. |

General Specifications

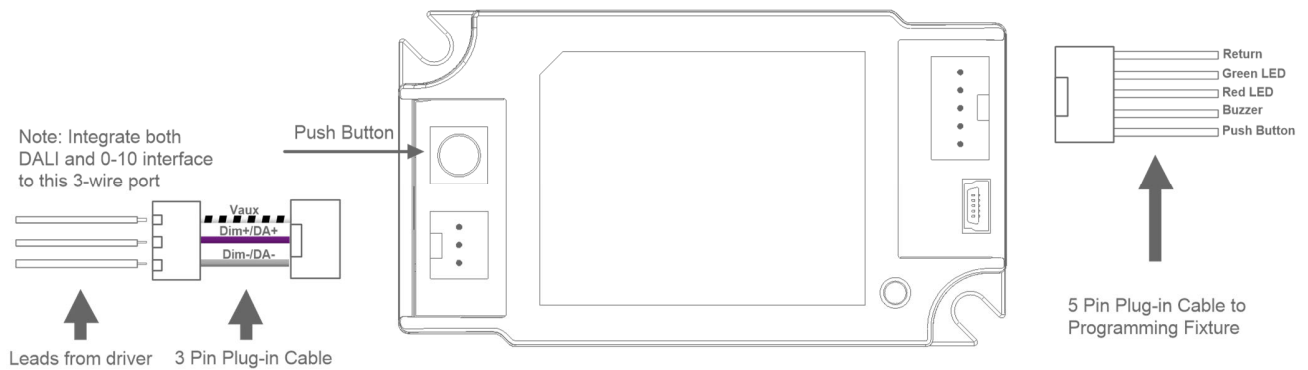
| Parameter | Min. | Typ. | Max. | Notes |
|---|------|------------------------------------|------|-------|
| Dimensions Inches (L × W × H) Millimeters (L × W × H) | | 3.35 × 1.85 × 0.83 85 × 47 × 21 | | |
| Net Weight | - | 45 g | - | |

Packing List

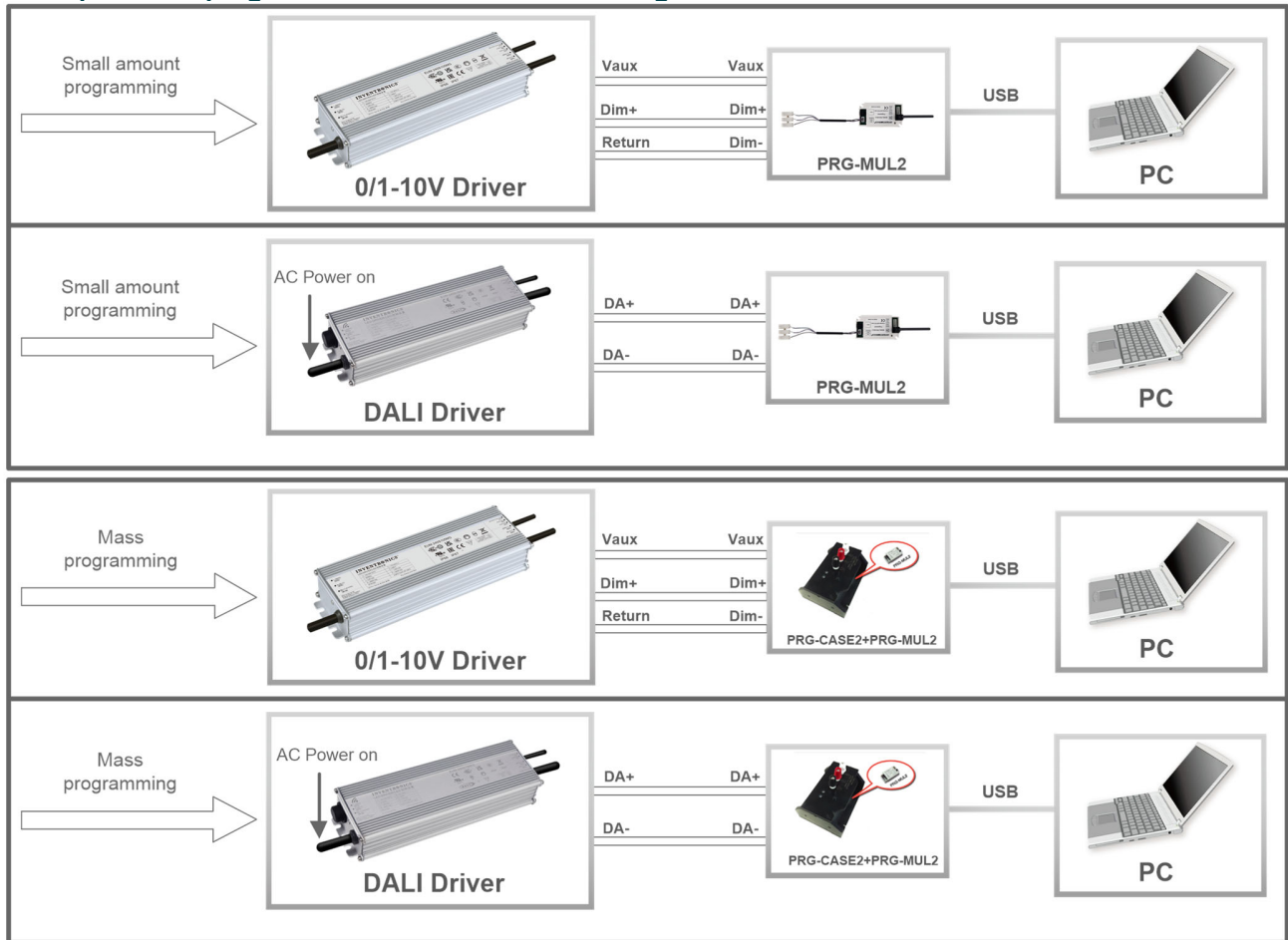
| Packing List | Function |
|----------------------------|---|
| PRG-MUL2 | Programmer |
| USB Cable | Connect PC and PRG-MUL2 |
| 3-Pins Plug-in Cable | Connect PRG-MUL2 and Header, then the open leads driver could connect to the header |
| 3-Holes Programming Header | Connect the 3-Wires Plug-in Cable and Programming leads of Driver. |

Diagram

Connectors



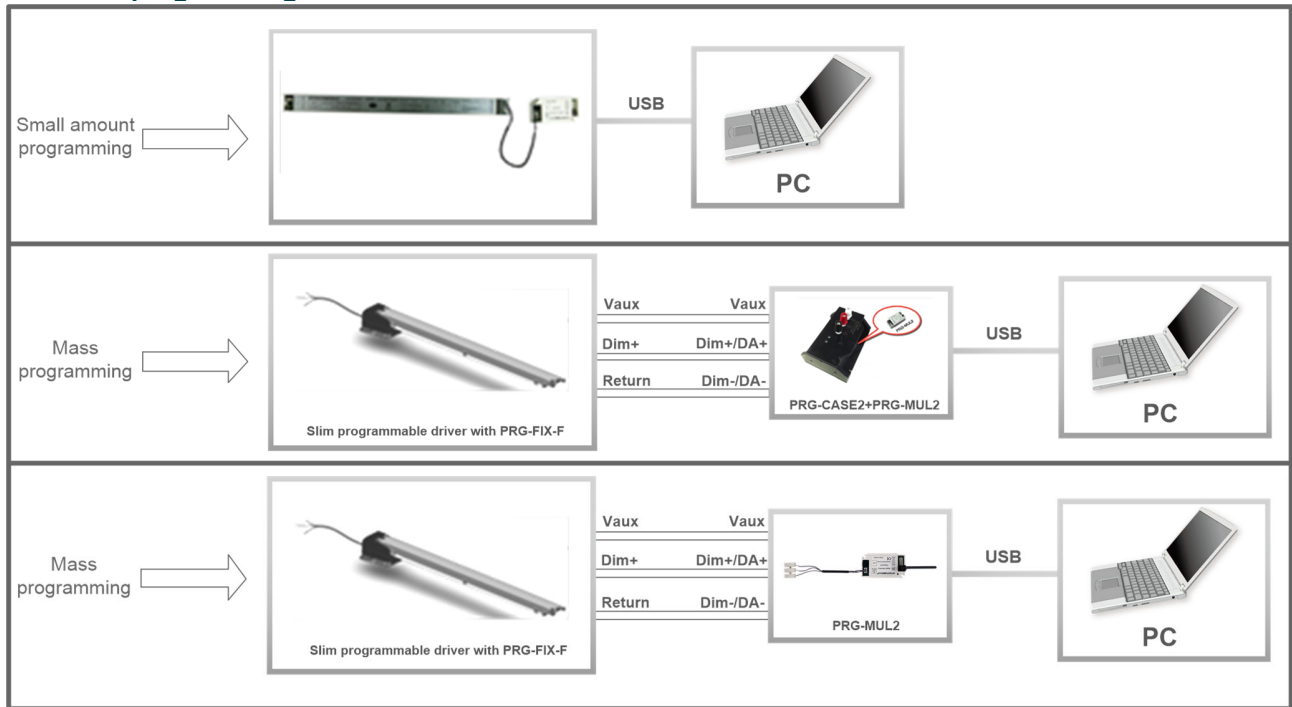
● **Open leads programmable driver connection diagram**



Notes:

1. All the DALI open leads driver need AC power when programming.
2. The method of installing the PRG-MUL2 to PRG-CASE2 please refer to the [PRG-CASE2](#) datasheet

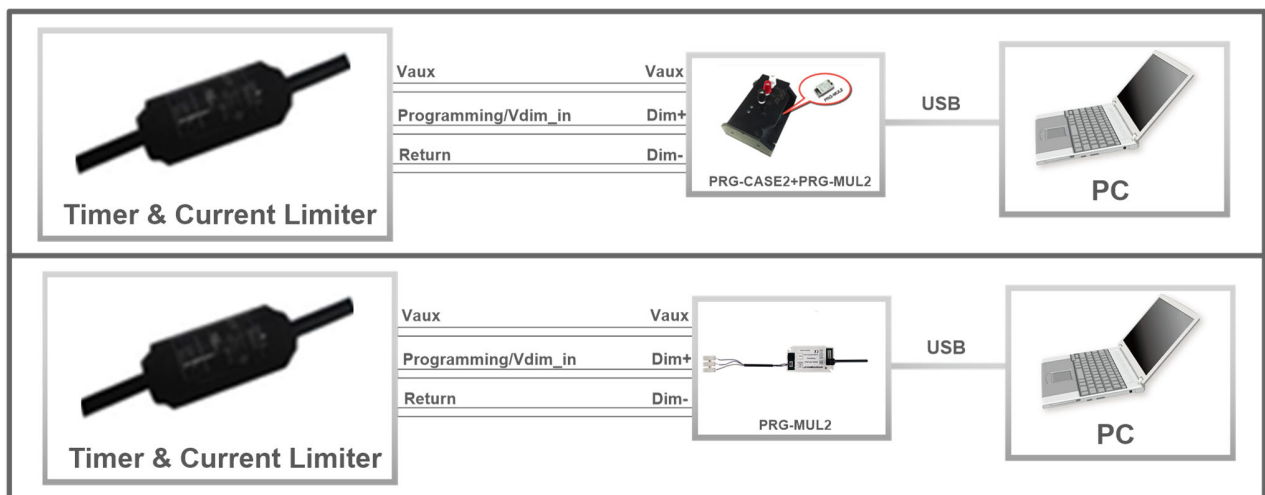
● Mass programming tool PRG-CASE2 connects with PRG-FIX-F



Note:

1. Only the slim DALI driver need AC power when programming in the top diagram(Small amount programming).
2. Do NOT connect Vaux when programming the DALI driver, it may cause the programmer failure.

● The connections between programmer and controllers

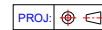
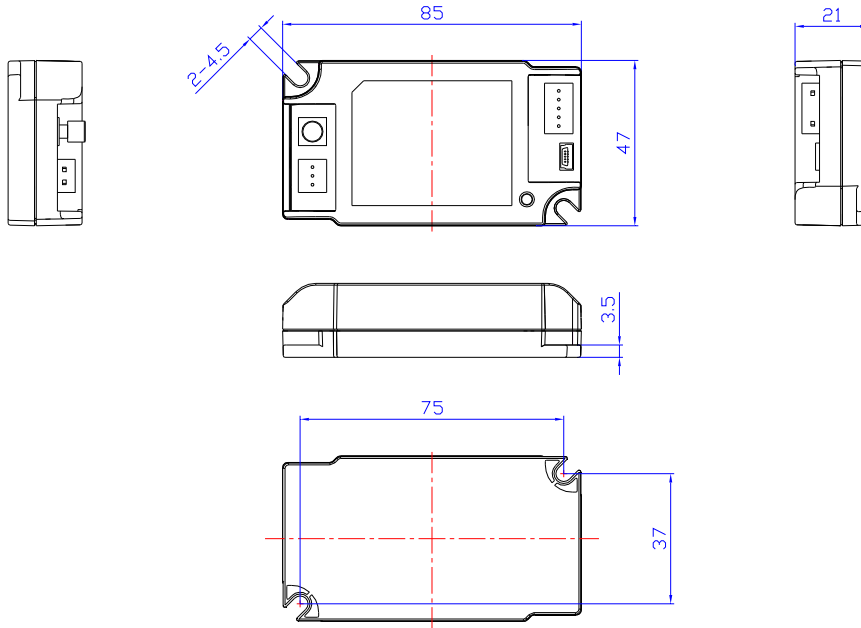


Note: PRG-MUL2 does not support "current calibration" (SDD-AAPNP supports it).

Software of programmer interface

The multi-function software and programming interface operating instructions please refer to the link below.
[multi-function software and programming interface operating instructions](#)

Mechanical Outline



Unspecified tolerance:±1

RoHS Compliance

Our products comply with reference to RoHS Directive (EU) 2015/863 amending 2011/65/EU, calling for the elimination of lead and other hazardous substances from electronic products.

Revision History

| Change Date | Rev. | Description of Change | | |
|-------------|------|--|------|-----------|
| | | Item | From | To |
| 2015-03-31 | A | Datasheets Release | / | / |
| 2015-11-18 | B | CE Certification | / | Added |
| 2016-06-12 | C | Diagram-Connectors | / | Corrected |
| 2017-07-28 | D | Diagram-The connections between programmer and controllers | / | Corrected |
| 2018-04-12 | E | Website Link in the Datasheet | / | Updated |
| 2023-05-31 | F | Software of programmer interface | Link | Updated |
| | | RoHS Compliance | / | Updated |
| 2023-12-07 | G | Format | / | Updated |
| | | Diagram | / | Updated |